



Spacemaker Dryers

Safety Instructions 3-5

Operating Instructions

Care and Cleaning 8
Controls 6
Features 7
Loading and Using the Dryer 8

Installation Instructions 9-20

Electrical Installation for
Electric Dryer 16, 17
Electrical Requirements 11
Exhausting the Dryer 12, 13
Gas Connection for Gas Dryer 18
Gas Supply Requirements 13
Location of Your Dryer 14
Mobile Home Installation 15
Preparing to Install Your Dryer . . . 9, 10
Reversing the Door Swing 20
Stacking Instructions 19, 20

Troubleshooting Tips 21, 22

Customer Service

Service Telephone Numbers 26
Warranty for U.S. Customers 24
Warranty for Canadian Customers . . . 25

**Owner's Manual &
Installation Instructions**

U.S. Models:

DSXH43

DPXH46

DH43

Canada Models:

DCXH46

PSXH43



GE & You, A Service Partnership.



IMPORTANT!

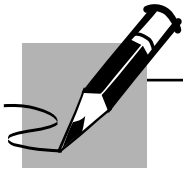
Staple sales slip or cancelled check here.

Proof of the original purchase date is needed to obtain service under the warranty.

Fill out the Consumer Product Registration Card.

Two easy ways to register your appliance!

- Through the Internet at www.geappliances.com
- Complete and mail the enclosed Product Registration Card



FOR YOUR RECORDS

Write the model and serial numbers here:

They are on the label on the left side of the door opening.



READ THIS MANUAL

Inside you will find many helpful hints on how to use and maintain your dryer properly. Just a little preventive care on your part can save you a great deal of time and money over the life of your dryer.



IF YOU NEED SERVICE

You'll find many answers to common problems in the *Before You Call For Service* section. If you review our chart of *Troubleshooting Tips* first, you may not need to call for service at all.

If you do need service, you can relax knowing help is only a phone call away. A list of toll-free customer service numbers is included in the back section.

OR

In the United States, visit our Website at: **GEAppliances.com**. In Canada, visit **geappliances.ca**.

IMPORTANT SAFETY INFORMATION. READ ALL INSTRUCTIONS BEFORE USING.

⚠ WARNING!

For your safety, the information in this manual must be followed to minimize the risk of fire or explosion, electric shock, or to prevent property damage, personal injury, or death.

- **Do not store or use gasoline or other flammable vapors and liquids in the vicinity of this or any other appliance.**
- **Installation and service must be performed by a qualified installer, service agency or the gas supplier.**

WHAT TO DO IF YOU SMELL GAS:

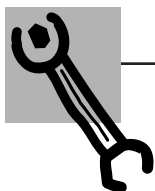
- 1 Do not try to light a match, or cigarette, or turn on any gas or electrical appliance.**
- 2 Do not touch any electrical switch; do not use any phone in your building.**
- 3 Clear the room, building or area of all occupants.**
- 4 Immediately call your gas supplier from a neighbor's phone. Follow the gas supplier's instructions carefully.**
- 5 If you cannot reach your gas supplier, call the fire department.**

California Safe Drinking Water and Toxic Enforcement Act

This act requires the governor of California to publish a list of substances known to the state to cause cancer, birth defects or other reproductive harm and requires businesses to warn customers of potential exposure to such substances.

Gas appliances can cause minor exposure to four of these substances, namely benzene, carbon monoxide, formaldehyde and soot, caused primarily by the incomplete combustion of natural gas or LP fuels.

Properly adjusted dryers will minimize incomplete combustion. Exposure to these substances can be minimized further by properly venting the dryer to the outdoors.



PROPER INSTALLATION

This dryer must be properly installed and located in accordance with the Installation Instructions before it is used.

- Properly ground dryer to conform with all governing codes and ordinances. Follow details in Installation Instructions.
- Install or store where it will not be exposed to temperatures below freezing or exposed to the weather.
- Connect to a properly rated, protected and sized power supply circuit to avoid electrical overload.
- Remove all sharp packing items and dispose of all shipping materials properly.

Exhaust/Ducting:

- 1 This dryer *MUST* be exhausted to the outside.**
- 2 Use only rigid metal 4" diameter ductwork inside the dryer cabinet. Use only rigid metal or flexible metal 4" diameter ductwork for exhausting to the outside. *USE OF PLASTIC OR OTHER COMBUSTIBLE DUCTWORK CAN CAUSE A FIRE. PUNCTURED DUCTWORK CAN CAUSE A FIRE IF IT COLLAPSES OR BECOMES OTHERWISE RESTRICTED IN USE OR DURING INSTALLATION.***

For complete details, follow the Installation Instructions.

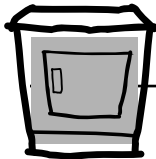
IMPORTANT SAFETY INFORMATION. READ ALL INSTRUCTIONS BEFORE USING.

⚠ WARNING!



YOUR LAUNDRY AREA

- Keep the area underneath and around your appliances free of combustible materials, such as lint, paper, rags and chemicals.
- Keep the floor around your appliances clean and dry to reduce the possibility of slipping.
- Keep area around the exhaust opening and surrounding areas free from the accumulation of lint, dust and dirt.
- Do not obstruct the flow of ventilating air. Do not stack or place laundry or throw rugs against the front or back of the dryer.
- Close supervision is necessary if this appliance is used by or near children. Do not allow children to play on, with or inside this or any other appliance.
- Keep all laundry aids (such as detergents, bleaches, etc.) out of the reach of children, preferably in a locked cabinet. Observe all warnings on container labels to avoid injury.
- Never climb on or stand on the dryer top.



WHEN USING YOUR DRYER

- Never reach into the dryer while the drum is moving. Before loading, unloading or adding clothes, wait until the drum has completely stopped.
- **Clean the lint filter before each load** to prevent lint accumulation inside the dryer or in the room. **DO NOT OPERATE THE DRYER WITHOUT THE LINT FILTER IN PLACE, UNLESS THE DRYING RACK IS IN USE.** Always replace the lint screen when finished using the drying rack.
- Do not wash or dry articles that have been cleaned in, washed in, soaked in or spotted with combustible or explosive substances (such as wax, oil, paint, gasoline, degreasers, dry-cleaning solvents, kerosene, etc.). These substances give off vapors that may ignite or explode. Do not add these substances to the wash water. Do not use or place these substances around your washer or dryer during operation.
- Any article on which you have used a cleaning solvent or that contains flammable materials (such as cleaning cloths, mops, towels used in beauty salons, restaurants or barber shops, etc.) must not be placed in or near the dryer until solvents or flammable materials have been removed. There are many highly flammable items used in homes such as acetone, denatured alcohol, gasoline, kerosene, some household cleaners, some spot removers, turpentines, waxes, wax removers and products containing petroleum distillates.
- The laundry process can reduce the flame retardancy of fabrics. To avoid such a result, carefully follow the garment manufacturer's care instructions.
- Do not dry articles containing rubber, plastic or similar materials such as padded bras, tennis shoes, galoshes, bath mats, rugs, bibs, baby pants, plastic bags and pillows that may melt or burn. Some rubber materials, when heated, can under certain circumstances produce fire by spontaneous combustion.
- Do not store plastic, paper or clothing that may burn or melt on top of the dryer during operation.
- Garments labeled *Dry Away from Heat* or *Do Not Tumble Dry* (such as life jackets containing kapok) must not be put in your dryer.
- Do not dry fiberglass articles in your dryer. Skin irritation could result from the remaining particles that may be picked up by clothing during subsequent dryer uses.
- To minimize the possibility of electric shock, unplug this appliance from the power supply or disconnect the dryer at the household distribution panel by removing the fuse or switching off the circuit breaker before attempting any maintenance or cleaning (except the removal and cleaning of the lint filter). **NOTE:** Turning the Cycle Selector knob to an **OFF** position does **NOT** disconnect the appliance from the power supply.
- Do not spray any type of aerosol into, on or near dryer at any time.
- Do not place items exposed to cooking oils in your dryer. Items contaminated with cooking oils may contribute to a chemical reaction that could cause a clothes load to catch fire.



WARNING!

- Never attempt to operate this appliance if it is damaged, malfunctioning, partially disassembled or has missing or broken parts, including a damaged cord or plug.
- The interior of the machine and the exhaust duct connection inside the dryer should be cleaned at least once a year by a qualified technician. See the *Loading and Using the Dryer* section. Do not use any type of spray cleaner when cleaning dryer interior. Hazardous fumes or electrical shock could occur.
- If yours is a gas dryer, it is equipped with an automatic electric ignition and does not have a pilot light. **DO NOT ATTEMPT TO LIGHT WITH A MATCH.** Burns may result from having your hand in the vicinity of the burner when the automatic ignition turns on.
- You may wish to soften your laundered fabrics or reduce the static electricity in them by using a dryer-applied fabric softener or an antistatic conditioner. We recommend you use either a fabric softener in the wash cycle, according to the manufacturer's instructions for those products, or try a dryer-added product for which the manufacturer gives written assurance on the package that their product can be safely used in your dryer. Service or performance problems caused by use of these products are the responsibility of the manufacturers of those products and are not covered under the warranty to this appliance.



WHEN NOT USING YOUR DRYER

- Grasp the plug firmly when disconnecting this appliance to avoid damage to the cord while pulling. Place the cord away from traffic areas so it will not be stepped on, tripped over or subjected to damage.
- Do not attempt to repair or replace any part of this appliance or attempt any servicing unless specifically recommended in this Owner's Manual or in published user-repair instructions that you understand and have the skills to carry out.
- Before discarding a dryer, or removing it from service, remove the dryer door to prevent children from hiding inside.
- Do not tamper with controls.

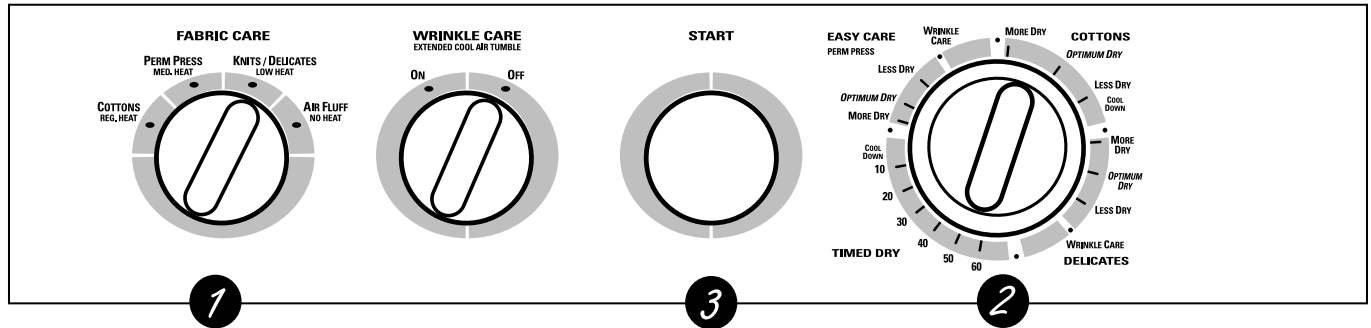


READ AND FOLLOW THIS SAFETY INFORMATION CAREFULLY.

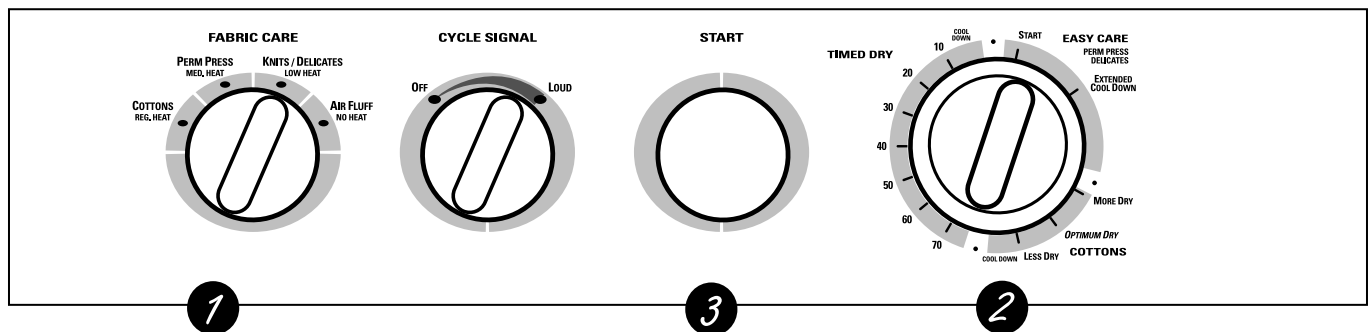
SAVE THESE INSTRUCTIONS

About the dryer control panel.

Models DPXH46 and DCXH46



Models DSXH43, DH43 and PSXH43



Features and appearance may vary.



Control Settings

1 Fabric Care

COTTONS REG. HEAT For regular to heavy cottons.

PERM. PRESS MED HEAT For synthetics, blends and items labeled *permanent press* or *tumble dry medium heat*.

KNITS/ DELICATES LOW HEAT For knits, delicates, synthetics and items labeled *tumble dry low heat*.

AIR FLUFF NO HEAT For *fluffing* items without heat. Use the **TIMED DRY** cycle.

2 Drying Cycles

The **COTTONS**, **EASY CARE** and **DELICATES** cycles automatically sense fabric dryness. Select **MORE DRY** for heavier fabrics, **LESS DRY** for lighter fabrics. The **TIMED DRY** cycle will run for a selected time.

COTTONS For cottons and most linens. For most loads, select the **Optimum Dry** setting (on some models).

EASY CARE PERM PRESS For wrinkle free, permanent press and delicate items, and knits. For most loads, select the **Optimum Dry** setting (on some models).

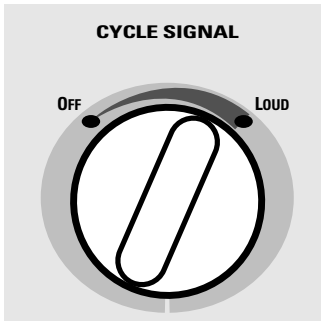
DELICATES For delicates and special care fabrics. For most loads, select the **Optimum Dry** setting (on some models).

TIMED DRY Set the Cycle Selector at the desired drying time.

3 Start

Close the dryer door. Select **START**. Opening the door during operation will stop the dryer. To restart the dryer, close the door and select **START** to complete the cycle.

About your dryer features.



Cycle Signal Option (on some models)

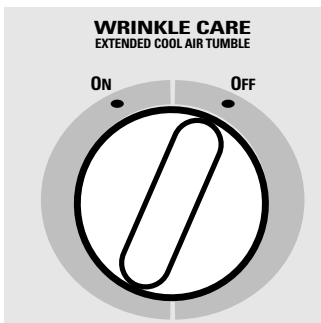
When the signal is on it will sound just before the end of the cycle to remind you to remove the clothes. The signal can be set at **OFF** (no sound), **LOUD** or anywhere in between.

If the dried load cannot be removed promptly during the **EASY CARE** cycle, the Cycle Selector will advance to the **EXTENDED COOL DOWN** setting. Unheated tumbling continues during **EXTENDED COOL DOWN** and **WRINKLE CARE** (on some models) for 40 minutes to help reduce wrinkling. When the **CYCLE SIGNAL** is on, it will sound briefly every

five minutes as a reminder to remove the load.

NOTE:

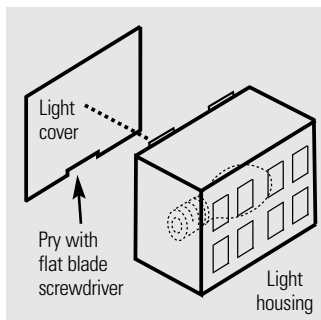
- If items are removed before the end of the cycle, turn the **CYCLE SELECTOR** knob to **OFF**.
- Remove garments promptly at the sound of the signal. Place clothes on hangers so wrinkles won't set in.
- Use the Cycle Signal especially when drying fabrics like polyester knits and permanent press. These fabrics should be removed so wrinkles won't set in.



Wrinkle Care Option (on some models)

Use this option to minimize the wrinkles in clothes. It provides approximately 15 minutes of no-heat tumbling after the clothes are dry.

This option can only be used with the **EASY CARE** and **DELICATES** cycles.



Replacing the Dryer Light Bulb (on some models)

⚠ WARNING: To reduce the risk of electric shock, disconnect this appliance from the power supply before attempting any user maintenance. Turning the controls to the **OFF** position does not disconnect this appliance from the power supply.

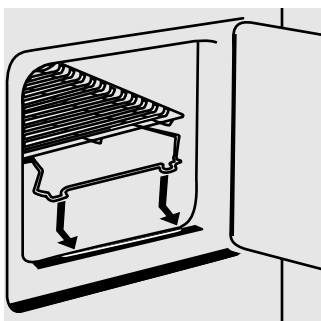
The dryer light is located above the dryer door opening.

Before replacing the light bulb, be sure to unplug the dryer power cord or disconnect the dryer at the household distribution

panel by removing the fuse or switching off the circuit breaker.

To replace the dryer light:

- 1 Using a small flat blade screwdriver, pry the bottom of the *light cover* out and off the *light housing*.
- 2 Unscrew the bulb when cool and replace it with an appliance bulb of the same or lower wattage.
- 3 Snap the *light cover* back on the *light housing*.



Drying Rack (on some models)

A handy drying rack may be used for drying articles such as stuffed toys, pillows or washable sweaters.

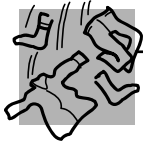
- 1 Remove the lint screen.
- 2 Place the front bar under the lip of the lint screen opening.
- 3 When items are dry, remove the rack and replace the lint screen. **DO NOT OPERATE THE DRYER WITHOUT THE LINT SCREEN IN PLACE UNLESS THE DRYING RACK IS IN PLACE.**

NOTE:

- The drying rack must be used with the **TIMED DRY** cycle.
- Do not use this drying rack when there are other clothes in the dryer.

Loading and using the dryer.

Always follow the fabric manufacturer's care label when laundering.



Sorting and Loading Hints

As a general rule, if clothes are sorted properly for the washer, they are sorted properly for the dryer.

Do not add fabric softener sheets once the load has become warm. They may cause fabric softener stains. Bounce® Fabric Conditioner Dryer Sheets have been approved for use in all GE Dryers when used in accordance with the manufacturer's instructions.

Do not overload. This wastes energy and causes wrinkling.

Do not dry the following items: fiberglass items, woolens, rubber-coated items, plastics, items with plastic trim and foam-filled items.



Care and Cleaning of the Dryer

The Exterior: Wipe or dust any spills or washing compounds with a damp cloth. Dryer control panel and finishes may be damaged by some laundry pretreatment soil and stain remover products. Apply these products away from the dryer. The fabric may then be washed and dried normally. Damage to your dryer caused by these products is not covered by your warranty.

The Lint Screen: Clean the lint screen before each use. Lint buildup in the screen restricts air flow, which causes longer drying times. The screen is located at the bottom of the door opening. Remove by pulling straight up. Remove the lint and replace the screen.

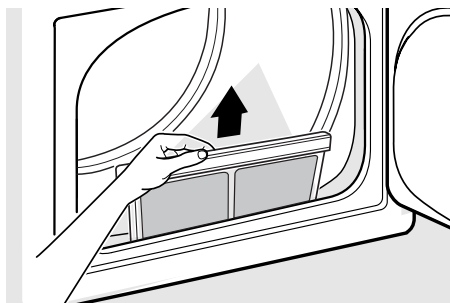
A waxy buildup may form on the lint screen from using dryer-added fabric softener sheets. To remove this buildup, wash the lint screen in warm, soapy water. Dry thoroughly and replace. Do not operate the dryer without the lint screen in place.

The Exhaust Duct: Inspect and clean the exhaust ducting at least once a year to prevent clogging. A partially clogged exhaust can lengthen the drying time.

Follow these steps:

- 1 Turn off electrical supply by disconnecting the plug from the wall socket.
- 2 Disconnect the duct from the dryer.
- 3 Vacuum the duct with the hose attachment and reconnect the duct.

The Exhaust Hood: Check from the outside that the flaps of the hood move freely when operating. Make sure that there is no wildlife (birds, insects, etc.) nesting inside the duct or hood.



Installation Instructions

Spacemaker Dryer

Models **DCXH46**
DSXH43
DPXH46
DH43
PSXH43

**If you have any questions, in the U.S., call 800.GE.CARES (800.432.2737) or visit our Website at: GEAppliances.com
In Canada, call 1.800.361.3400 or visit our Website at: geappliances.ca**

BEFORE YOU BEGIN

Read these instructions completely and carefully.

- **IMPORTANT** – Save these instructions for local inspector's use.
- **IMPORTANT** – Observe all governing codes and ordinances.
- **Note to Installer** – Be sure to leave these instructions with the Consumer.
- **Note to Consumer** – Keep these instructions for future reference.
- **Skill level** – Installation of this appliance requires basic mechanical and electrical skills.
- **Completion time** – 1–3 hours
- Proper installation is the responsibility of the installer.
- Product failure due to improper installation is not covered under the Warranty.

IN THE COMMONWEALTH OF MASSACHUSETTS

- This product must be installed by a licensed plumber or gas fitter.
- When using ball-type gas shut-off valves, they shall be the T-handle type.
- A flexible gas connector, when used, must not exceed 3 feet.

FOR YOUR SAFETY:

WARNING

- This dryer must be exhausted to the outdoors. Use only rigid metal or flexible metal 4" diameter ductwork for exhausting to the outside. Use only rigid metal 4" diameter ductwork inside the dryer cabinet.
- Never use plastic or other combustible ductwork. See *Exhausting* section.
- This appliance must be properly grounded and installed as described in these *Installation Instructions*.
- Do not install or store appliance in an area where it will be exposed to water/weather. See *Location of Your Dryer* section.
- The National Fuel Gas code restricts installations of **gas appliances** in garages. They must be 18" (45.7 cm) off the ground and protected from vehicles by a barrier. See *Location of Your Dryer* section.
- The **electrical service** to the dryer must conform with local codes and ordinances and the latest edition of the National Electrical Code, ANSI/NFPA 70 or in Canada, CSA C22.1 Canadian Electrical Code Part 1.
- The **gas service** to the dryer must conform with local codes and ordinances or the latest edition of the National Fuel Gas Code ANSI Z223.1 or in Canada, CAN/CGA B149.12. The gas dryer is designed under ANSI Z 21.5.1 or ANSI/UL2158–CAN/CSA C22.2 (latest editions) for **home use only**. This dryer is not recommended for commercial applications such as restaurants or beauty salons.

Installation Instructions

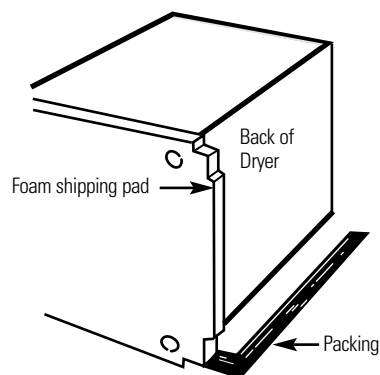
TOOLS AND MATERIALS YOU WILL NEED

- Phillips head screwdriver
- Adjustable pliers (adjust leveling legs)
- Carpenter's level
- Flat or straight blade screwdriver (may be needed for cord strain relief)
- Duct tape
- Rigid or UL-listed flexible metal 4" (10.2 cm) duct
- Vent hood
- 1/4" nut driver (remove terminal block access cover and install cord) (**ELECTRIC DRYER**)
- Pipe thread sealer (**GAS DRYER**)
- UL-listed strain relief (may be supplied with cord)
- UL-listed 30A, 240V, 3-wire, #10 AWG minimum conductor power cord (U.S. existing structure)
- UL-listed 30A, 240V, 4-wire, #10 AWG minimum conductor power cord is required (U.S. new construction)
- Flexible stainless steel or plastic-coated brass connecting tube (if allowed by building code) (**GAS DRYER**)
- Open-end wrenches for flexible tube and connector (**GAS DRYER**)

PREPARING THE INSTALLATION SITE AND UNPACKING YOUR DRYER

1. Prepare the area and exhaust for installation of the new dryer.
2. Check to be sure that the existing external exhaust is clean and that it meets attached installation specifications.
3. Place the four corner posts from the shipping carton on the floor, parallel to each other, 2–3" apart. Carefully lay the dryer on its left side on top of the corner posts. Remove the foam shipping pad.

⚠ CAUTION: To prevent damage, do not use the control panel as a means to pick up or move the dryer.



4. Return the dryer to an upright position.
5. Move the dryer to the desired location.
6. Connect the external exhaust.
7. Adjust the leveling legs to match the washer height. The dryer must be level and rest firmly on all four leveling legs.
8. Connect the power supply.
9. Check the operation of the power supply and venting.
10. Place the Owner's Manual and the Installation Instructions in a location where they will be noticed by the owner.

Installation Instructions

Read these instructions completely and carefully.

ELECTRICAL CONNECTION INFORMATION FOR ELECTRIC DRYERS

⚠ WARNING – To reduce the risk of fire, electric shock or personal injury:

- **DO NOT USE AN EXTENSION CORD WITH THIS APPLIANCE.**
- **THIS APPLIANCE MUST BE PROPERLY GROUNDED.**

This dryer must be electrically grounded in accordance with local codes and ordinances, or in the absence of local codes, in accordance with the **NATIONAL ELECTRICAL CODE, ANSI/NFPA NO. 70** or in Canada **CSA C22.1 Canadian Electrical Code Part 1**.

Electrical Requirements

- This dryer must be connected to a 208V or 240V individual branch circuit, protected by 30-amp circuit breakers or time-delay fuses.
- Power supply: 3-wire 240-volt, single-phase, 60-Hz, Alternating Current. (Canada–240 volt, single-phase, 60-Hz Alternating Current.)
- Use copper conductors only.
- If the electric supply does not meet the above specifications, call a licensed electrician.

NOTE: A wiring diagram is located under the top panel.

ELECTRICAL CONNECTION INFORMATION FOR GAS DRYERS

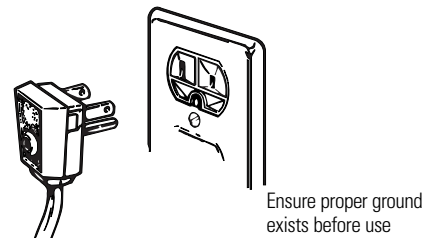
⚠ WARNING – To reduce the risk of fire, electric shock or personal injury:

- **DO NOT USE AN EXTENSION CORD OR AN ADAPTER PLUG WITH THIS APPLIANCE.**
- **DO NOT, UNDER ANY CIRCUMSTANCES, CUT OR REMOVE THE THIRD GROUNDING PRONG FROM THE POWER CORD.**

This dryer must be electrically grounded in accordance with local codes and ordinances, or in the absence of local codes, in accordance with the **NATIONAL ELECTRICAL CODE, ANSI/NFPA NO. 70** or in Canada, **CSA C22.1 Canadian Electrical Code Part 1**.

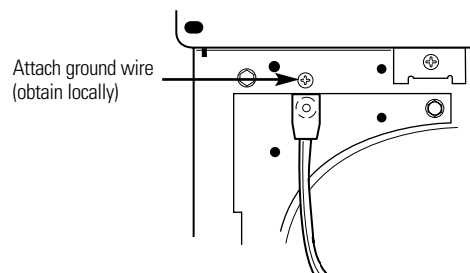
Electrical Requirements

- This dryer must be supplied with 120V, 60-Hz, and connected to a properly grounded branch circuit, protected by a 15- or 20-amp circuit breaker or time-delay fuse.
- If the electric supply provided does not meet the above specifications, it is recommended that a licensed electrician install an approved outlet.



External Ground (if required)

An external ground wire (not provided), which meets local codes, may be added by attaching it to the green ground screw on the rear of the dryer in the upper left corner above the cord, and to grounded metal cold water pipe or other established ground.



NOTE: A wiring diagram is located under the top panel.

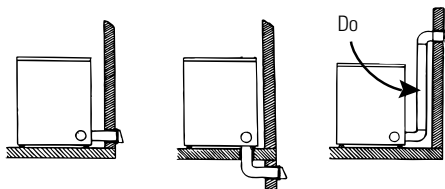
Installation Instructions

EXHAUST SYSTEM REQUIREMENTS

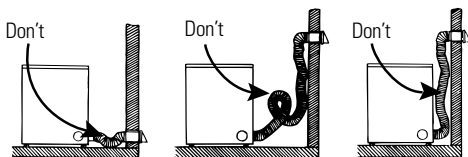
Use only 4" (10.2 cm) diameter (minimum) rigid metal duct for best performance, or flexible metal duct, and approved vent hood which has swing-out dampers that open when the dryer is in operation. When the dryer stops, the dampers automatically close to prevent drafts and the entrance of insects and rodents. To avoid restricting the outlet, maintain a minimum of 12" (30.5 cm) clearance between the vent hood and the ground or any other obstruction.

If all rigid metal duct cannot be used, then flexible all-metal venting can be used, but it will reduce the maximum recommended duct length. See **Additional Installation Instructions** following.

Correct



Incorrect



⚠ WARNING — The following are specific requirements for proper and safe operation of your dryer. Failure to follow these instructions can create excessive drying times and fire hazards.

DO NOT use plastic flexible duct to exhaust the dryer. Excessive lint can build up inside exhaust system and create a fire hazard and restrict air flow. Restricted air flow will increase drying times. If your present system is made up of plastic duct or metal foil duct, replace it with rigid or flexible metal duct. **Ensure the present duct is free of any lint prior to installing dryer duct.**

If the dryer is not exhausted outdoors, some fine lint will be expelled into the laundry area. An accumulation of lint in any area of the home can create a health and fire hazard. **This dryer exhaust system MUST BE EXHAUSTED TO THE OUTSIDE of the dwelling.**

DO NOT allow combustible materials (for example: clothing, draperies/curtains, paper) to come in contact with exhaust system.

⚠ WARNING

The dryer **MUST NOT** be exhausted into a chimney, a wall, a ceiling, a common duct with a kitchen exhaust or any concealed space of a building which can accumulate lint, resulting in a fire hazard.

DO NOT exceed the length of duct pipe or number of elbows allowed in the **Maximum Length** charts. Lint can accumulate in the exhaust system, plugging the system and creating a fire hazard, as well as increasing drying times.

DO NOT screen the exhaust ends of the vent system, or use any screws or rivets to assemble the exhaust system. Lint can become caught in the screen, on the screws or rivets, clogging the duct work and creating a fire hazard as well as increasing drying times. Use an approved vent hood to terminate the duct outdoors, and seal all joints with duct tape. All male duct pipe fittings **MUST** be installed downstream with the flow of air.

EXPLOSION HAZARD. Do not install the dryer where gasoline or other flammables are kept or stored. If the dryer is installed in a garage, it must be a minimum of 18" (45.7 cm) above the floor. Failure to do so can result in death, explosion, fire or burns.

ADDITIONAL INSTALLATION INSTRUCTIONS

If all rigid metal duct cannot be used, then flexible all-metal venting can be used, but it will reduce the maximum recommended duct length. In special installations when it is impossible to make a connection with the above recommendations, then **UL-listed clothes dryer transition duct** may be used as transition venting between the dryer and wall connection only. The use of this ducting will affect drying time.

If flexible transition duct is necessary, **only UL-listed duct identified for use with clothes dryers is approved.**

The following directions must be followed.

- Use the shortest length possible.
- Stretch the duct to its maximum length.
- Do not crush or collapse.
- Never use transition duct inside the wall or inside the dryer.
- Avoid resting the duct on sharp objects.
- Venting must conform to local building codes.

Installation Instructions

EXHAUST DUCTING LENGTH

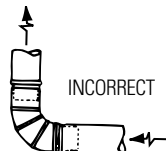
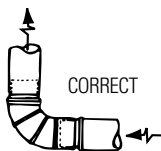
The exhaust system should be inspected and cleaned a minimum of every year with normal usage. The more the dryer is used, the more often you should check the exhaust system and vent hood for proper operation.

- **DO NOT** assemble the duct work with fasteners that extend into the duct. They will serve as collection points for lint.
- Insulation – Ductwork which runs through an unheated area or is near an air conditioning duct should be insulated to reduce condensation and lint buildup.

Number of 90° turns	MAXIMUM LENGTH of 4" (10.2 cm) Dia. FLEXIBLE METAL TUBING		
	PREFERRED VENT HOOD TYPE		
	4" (10.2 cm)	Louvered	2.5" (6.35 cm)
0	30' (9.14 m)	18' (5.49 m)	
1	22' (6.71 m)	14' (4.27 m)	
2	14' (4.27 m)	10' (3.05 m)	

Number of 90° turns	MAXIMUM LENGTH of 4" (10.2 cm) Dia. RIGID METAL DUCT		
	PREFERRED VENT HOOD TYPE		
	4" (10.2 cm)	Louvered	2.5" (6.35 cm)
0	60' (18.28 m)	48' (14.63 m)	
1	52' (15.84 m)	40' (12.19 m)	
2	44' (13.41 m)	32' (9.75 m)	
3	32' (9.75 m)	24' (7.31 m)	
4	28' (8.53 m)	16' (4.87 m)	

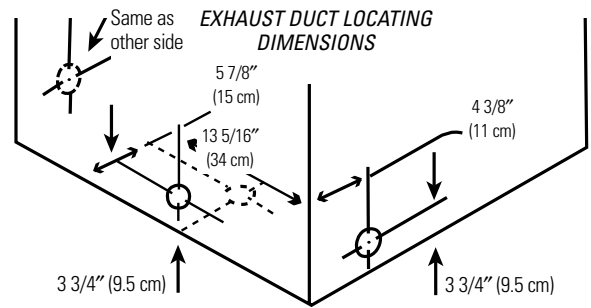
INSTALL MALE FITTINGS IN
CORRECT DIRECTION



EXHAUST DIRECTION

All dryers are shipped set up for rear exhausting.

On electric dryers, exhausting can be on the cabinet right or left side, or through the dryer bottom. Gas dryers can exhaust on the cabinet right side or the dryer bottom. To change exhaust direction you will need Exhaust Kit Pub. No. 14-A018 and a rigid metal 4" 90-degree elbow. The kit is available through your GE retailer. Follow the instructions supplied with the kit.



GAS SUPPLY REQUIREMENTS

Replace brass connecting pipe that is not plastic-coated. Stainless steel or plastic-coated brass **MUST** be used.

⚠ WARNING: Never reuse old flexible connectors. The use of old flexible connectors can cause gas leaks and personal injury. Always use **NEW** flexible connectors when installing a gas appliance.

1. Installation **MUST** conform with local codes, or in the absence of local codes, with the National Fuel Gas Code, ANSI Z223.1 (latest edition) or in Canada, the current CAN/CGA B149.
2. The gas supply line should be of 1/2" (1.27 cm) rigid pipe.
3. If codes allow, flexible metal tubing may be used to connect your dryer to the gas supply line. The tubing **MUST** be constructed of stainless steel or plastic-coated brass.
4. The gas supply line **MUST** have an individual shutoff valve.
5. A 1/8" (0.32 cm) NPT plugged tapping, accessible for test gauge connection, **MUST** be installed immediately upstream of the gas supply connection to the dryer.
6. The dryer **MUST** be disconnected from the gas supply piping system during any pressure testing of the gas supply piping system at test pressures in excess of 1/2 psig (3.45 kPa).
7. The dryer **MUST** be isolated from the gas supply piping system during any pressure testing of the gas supply piping system at test pressures equal to or less than 1/2 psig (3.45 kPa).

Installation Instructions

LOCATION OF YOUR DRYER

Do Not Install the Dryer:

1. Do not install the dryer in an area exposed to dripping water or outside weather conditions.
2. Do not install the dryer in an area where it will come in contact with curtains, drapes or anything that will obstruct the flow of combustion and ventilation air.
3. Do not install the dryer on carpet.

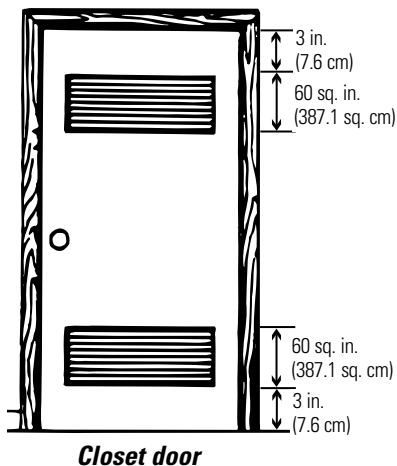
Floor **MUST** be solid with a maximum slope of 1" (2.54 cm).

Undercounter Installation:

If an undercounter* installation is desired, the dryer **MUST** have a top sheet kit installed, Pub. No. 14-A008. Kit is available through your GE retailer.
*Custom-sized countertop is required.

Installation in Recess or Closet:

1. This dryer **MUST** be exhausted outdoors.
2. No other fuel burning appliance shall be installed in the same closet as the **GAS DRYER**.
3. Your dryer needs the space around it for proper ventilation. **DO NOT INSTALL YOUR DRYER IN A CLOSET WITH A SOLID DOOR.**
4. Closet doors must be louvered or otherwise ventilated and must contain a minimum of 60 sq. in. of open area equally distributed. If the closet contains both a washer and a dryer, doors must contain a minimum of 120 sq. in. of open area equally distributed. Air openings are required to be unobstructed when a door is installed. A louvered door with equivalent air openings for the full length of the door is acceptable.

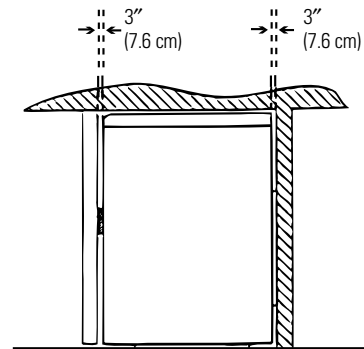
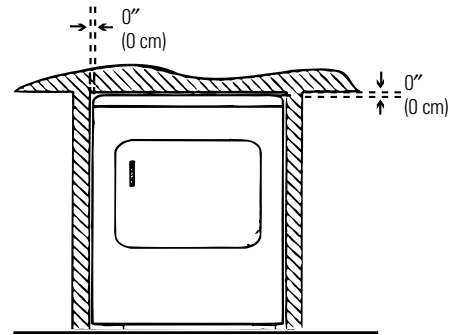


Allow the following clearances for ease of installation:

	FRONT	SIDES	REAR	TOP
Alcove, stack, undercounter or closet	3" (7.6 cm)	0 (0 cm)	3" (7.6 cm)	0 (0 cm)

THIS DRYER MUST BE EXHAUSTED OUTDOORS.

5. The following illustrations show minimum clearance dimensions for proper operation in a recess or closet installation.

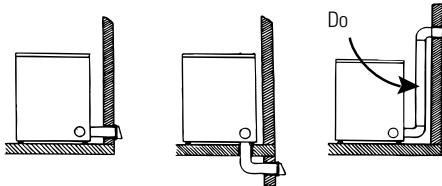


Installation Instructions

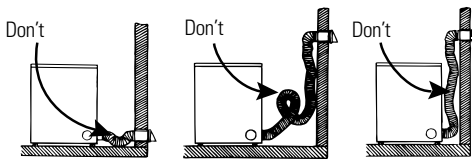
MOBILE HOME INSTALLATION

1. Dryer **MUST** be exhausted outside (outdoors, not beneath the mobile home) using metal ducting that will not support combustion. Metal ducting must be 4" (10.16 cm) in diameter with no obstructions. Rigid metal duct is preferred.
2. If the dryer is exhausted through the floor, the exhaust system **MUST NOT** terminate beneath the mobile home. Termination **MUST** be securely fastened to the mobile home structure.
3. When installing a gas dryer into a mobile home, a provision must be made for outside make-up air. This provision is to be not less than twice the area of the dryer exhaust outlet.
4. Gas dryers **MUST** be fastened to the floor using Mobile Home Installation Kit Pub. No. 14-D346-33.
5. See the *Exhaust System Requirements* section for other important venting information.
6. Installation **MUST** conform to current Manufactured Home Construction & Safety Standard (which is a Federal Regulation Title 24 CFR—Part 32–80) or, when such standard is not applicable, with American National Standard for Mobile Homes, ANSI/NFPA No. 501B. In Canada, the CSA Z240 is applicable.

Correct

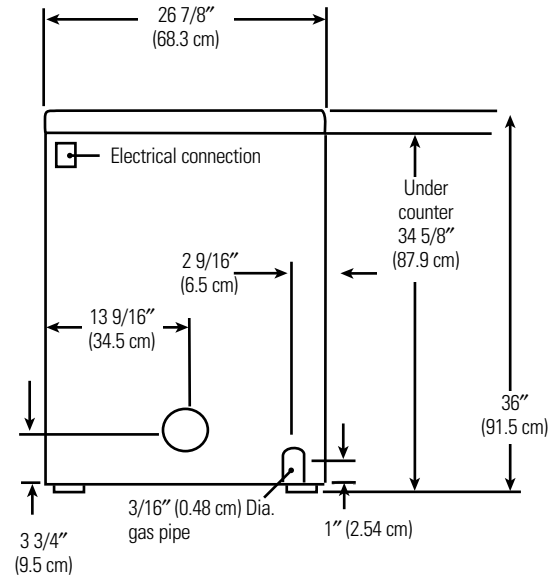


Incorrect

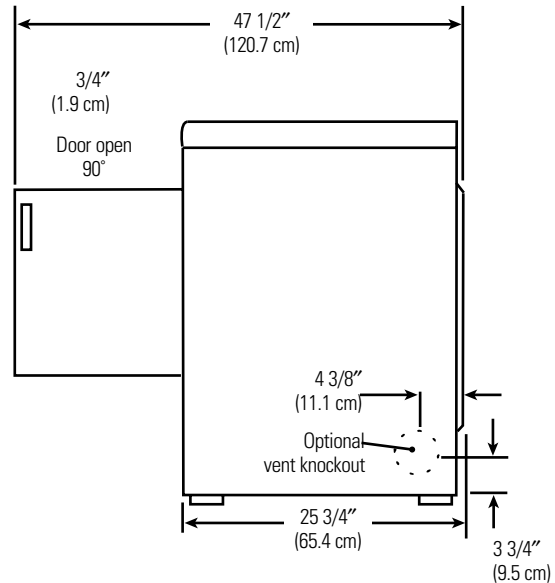


The dryer is designed under ANSI Z 21.5.1.

ROUGH-IN DIMENSIONS



REAR VIEW



SIDE VIEW

SERVICING – Consideration must be given to provide adequate clearances for installation and servicing.

Installation Instructions

ELECTRICAL INSTALLATION FOR ELECTRIC DRYERS

⚠ WARNING: The following are specific requirements for proper and safe electrical installation of your dryer. Failure to follow these instructions can create electrical shock and/or a fire hazard.

This appliance **MUST** be properly grounded. Electrical shock can result if the dryer is not properly grounded. Follow the instructions in this manual for proper grounding.

DO NOT use an extension cord with this dryer. Some extension cords are not designed to withstand the amounts of electrical current this dryer utilizes and can melt, creating electrical shock and/or fire hazard. Locate the dryer within reach of the wall outlet, taking into account the length of power cord to be purchased and allowing some slack in the cord. Refer to *Electrical Requirements* in this manual for the proper power cord to be purchased.

A UL-listed strain relief must be installed onto power cord. If the strain relief is not attached, the cord can be pulled out of the dryer and can be cut by any movement of the cord, resulting in electrical shock.

NOTE: Dryers operating on 208-volt power supply will have longer drying times than those operating on 240-volt power supply.

A wiring diagram is located under the top panel.

GROUNDING REQUIREMENTS

⚠ WARNING: Improper connection of the equipment-grounding conductor can result in a risk of electric shock. Check with a licensed electrician if you are in doubt as to whether the appliance is properly grounded.

The dryer **MUST** be grounded. In the event of a malfunction or breakdown, grounding will reduce the risk of electrical shock by creating a path of least resistance for electrical current.

Grounding must be in accordance with local codes and ordinances, or in the absence of local codes, in accordance with the National Electrical Code ANSI/NFPA No. 70.

For a grounded, cord-connected electric dryer:

If your dryer is equipped with a power supply cord having an equipment-grounding conductor and a grounding plug, the plug **MUST** be plugged into an appropriate, copper-wired receptacle (in the U.S.), or in Canada, an appropriate outlet that is properly installed and grounded in accordance with all local codes and ordinances. *If in doubt, call a licensed electrician.*

For a permanently connected electric dryer:

- The dryer **MUST** be connected to a grounded metal, permanent wiring system; or an equipment-grounding conductor must be run with the circuit conductors and connected to the equipment-grounding terminal or lead on the appliance.

For a grounded, cord-connected gas dryer:

- This dryer is equipped with a three-prong (grounding) plug for your protection against shock hazard and should be plugged directly into a properly grounded three-prong receptacle. Do not cut or remove the grounding prong from this plug. Do not modify the plug on this appliance. If it will not fit the outlet, have a proper outlet installed by a qualified electrician.

Installation Instructions

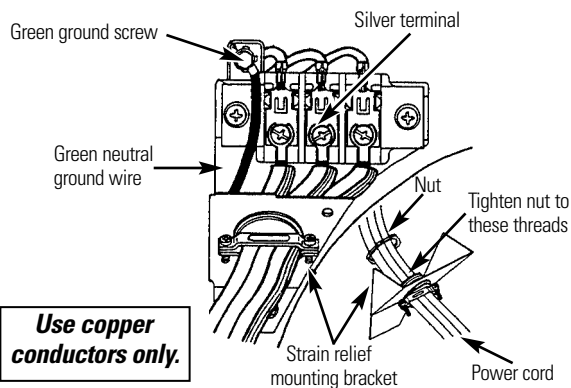
3-WIRE SYSTEM FOR ELECTRIC DRYERS

NOT for use in Canada.

DO NOT use for Mobile Home Installations.

NOT for use on new construction.

1. Remove the screws securing the terminal block access cover and the strain relief mounting bracket located on the back of the dryer upper corner.
2. Install a UL-listed strain relief into the power cord entry hole of the mounting bracket. Finger-tighten the nut only at this time.



3. Thread a UL-listed 30A, 240V, 3 #10 AWG minimum copper conductor power cord through the strain relief.
4. Attach the power cord neutral (center wire) conductor to the silver-colored center terminal on the terminal block. Tighten the screw securely.
5. Attach the remaining two power cord outer conductors to the outer brass-colored terminals on the terminal block. Tighten both screws securely.

⚠ WARNING: Do not make a sharp bend or crimp wiring/conductor at connections.

6. Reattach the strain relief mounting bracket to the back of the dryer with screws provided. Tighten screws securely.
7. Tighten the screws securing the cord restraint firmly against the power cord.
8. Tighten the strain relief nut securely so that the strain relief does not turn.
9. Reinstall the terminal block access cover.

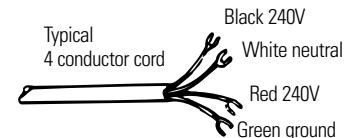
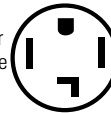
4-WIRE SYSTEM FOR ELECTRIC DRYERS

Effective January 1, 1996: The National Electrical Code requires that **new construction** (non existing) utilize a 4-wire connection to an electric dryer.

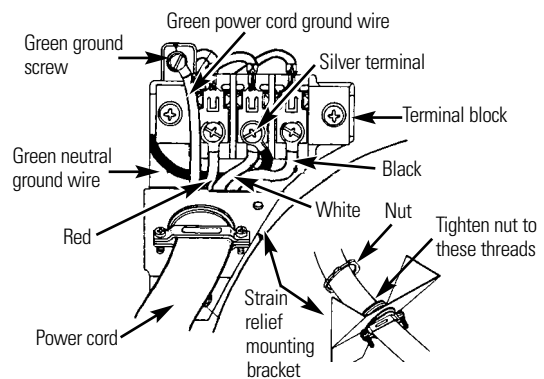
In Canada a 4-wire power supply cord is installed on the dryer.

1. Remove the screws securing the terminal block access cover and the strain relief mounting bracket located on the back of the dryer upper corner.
2. Install a UL-listed strain relief in the entry hole of the mounting bracket. Finger-tighten the nut only at this time.
3. Remove the green neutral ground wire from the green ground screw located above the terminal block.

Typical 4 conductor receptacle



4. Thread a UL-listed 30A, 240V, 4 #10 AWG minimum copper conductor power cord through the strain relief.
5. Attach the green power cord ground wire to the cabinet with the green ground screw.
6. Attach the white (neutral) power cord conductor from the power cord and the green ground wire from the dryer harness to the silver-colored center terminal on the terminal block. Tighten the screw securely.
7. Attach the red and black power cord conductors to the outer brass-colored terminals on the terminal block.



⚠ WARNING: Do not make a sharp bend or crimp wiring/conductor at the connections.

8. Tighten the screws securing the cord restraint firmly against the power cord.
9. Tighten the strain relief nut securely so the strain relief does not turn.
10. Reinstall the terminal block access cover.

Installation Instructions

GAS CONNECTION FOR GAS DRYERS

1. Remove the shipping cap from gas pipe at the rear of the dryer.

Conversion to LP Gas: **DO NOT** connect the dryer to LP gas service without converting the gas valve. An LP conversion kit (Pub. No. 14-A038) **MUST** be installed by a qualified gas technician.

- a. Connect a 1/2" (1.27 cm) I.D. semi-rigid or approved pipe from gas supply line to the 3/8" (0.96 cm) pipe located on the back of the dryer. Use a 1/2" to 3/8" (1.27 cm to 0.96 cm) reducer for a connection. Apply an approved thread sealer that is resistant to the corrosive action of liquefied gases on all pipe connections.
- b. Open the shutoff valve in the gas supply line.
- c. Test all connections by brushing on a soapy water solution.

⚠ WARNING: NEVER TEST FOR GAS LEAKS WITH AN OPEN FLAME.

2. Connect the exhaust duct to outside exhaust system. Use duct tape to seal all joints.
3. With the dryer in its final position, adjust one or more of the legs until the dryer is resting solidly on all four legs. Place a level on top of the dryer. **THE DRYER MUST BE LEVEL AND RESTING SOLIDLY ON ALL FOUR LEGS.**
4. Plug the power cord into a grounded outlet.
NOTE: Check to ensure the power is off at circuit breaker/fuse box before plugging the power cord into the outlet.
5. Turn on the power at the circuit breaker/fuse box.

⚠ CAUTION: Before operating the dryer, make sure the dryer area is clear and free from combustible materials, gasoline, and other flammable vapors. Also see that nothing (such as boxes, clothing, etc.) obstructs the flow of combustion and ventilation air.

6. Run the dryer through a cycle check for proper operation.

NOTE: On gas dryers, before the burner will light, it is necessary for the gas line to be bled of air. If the burner does not light within 45 seconds the first time the dryer is turned on, the safety switch will shut the burner off. If this happens, turn the timer to **OFF** and wait 5 minutes before making another attempt to light.

7. If your dryer does not operate, please review the *Troubleshooting Tips* section in this manual before calling for service.
8. Place these instructions in a location near the dryer for future reference.

Stacking Instructions

⚠ WARNING:

- To reduce the risk of electric shock, disconnect this appliance from the power supply before attempting any user maintenance. Turning the controls to the **OFF** position does not disconnect this appliance from the power supply.
- Refer to the washer and dryer installation instructions prior to stacking appliances. Reading all of the information contained in these instructions will simplify the installation and ensure a correct and safe operation. A fire hazard and/or personal injury could result from improper installation.

TOOLS REQUIRED FOR STACKING THE DRYER

- Phillips head screwdriver
- Channel-lock adjustable pliers

MOUNTING THE DRYER TO THE WASHER

The numbers in the illustration correspond to steps.

1. Remove the washer top panel by first removing the 4 screws in the 2 brackets located on the top rear of the washer.

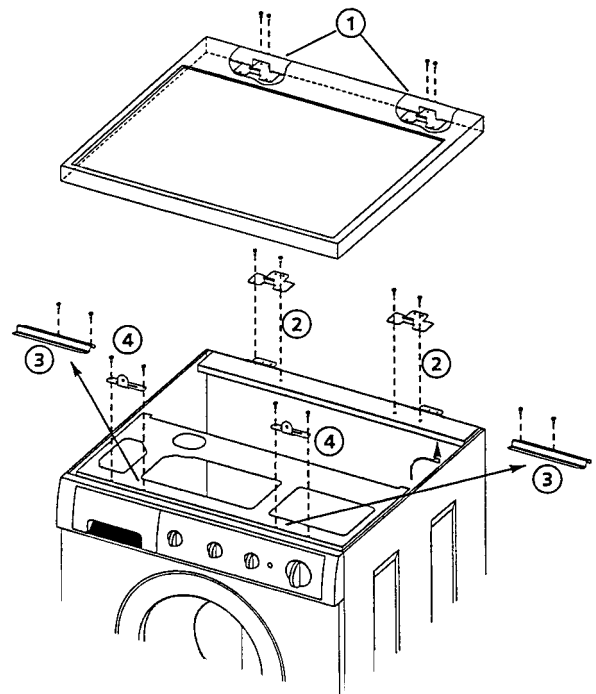
Slide the top forward, lift the front of the top up and remove the top panel.

Remove the 2 brackets from the rear of the top panel.

2. Using the 4 screws that were removed in step 1, install the brackets in the rear support as shown.

3. Remove the 4 screws and the 2 long front brackets located on the top front of the washer.

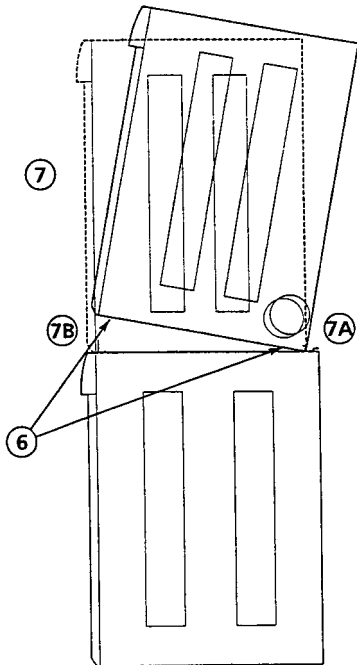
4. Install the 2 new front mounting brackets provided and the 4 screws that were removed in step 3. Note that the tab of the front mounting bracket is facing forward as shown in the illustration.



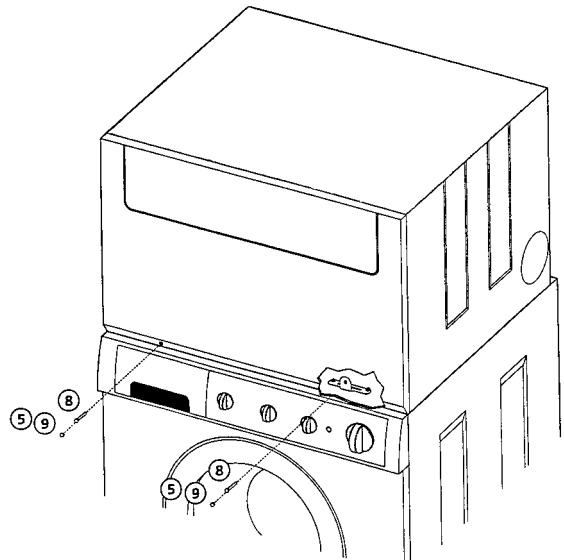
Stacking Instructions—Reversing Door Swing

The numbers in the illustration correspond to steps.

- Using the blade end of a putty knife covered with masking tape, carefully remove the hole plugs located in the bottom of the dryer front panel.
- Remove the 4 legs from the dryer base.
- Place the dryer on top of the washer. Slide the dryer back into the rear brackets (7A) then drop the front down over the front brackets (7B).

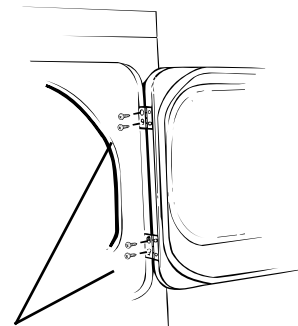


- Insert the 2 long screws provided in the kit through the holes in the dryer front panel and install into the front mounting brackets.
- Install the hole plugs removed in step 5.
- Refer to the washer and dryer installation instructions for proper installation and function.
- Save the top panel and brackets in the case of future side-by-side use.



REVERSING THE DRYER DOOR SWING

- Open the dryer door. Remove the 4 hinge hole plugs or screws from the left side of door opening. Place nearby for future installation. **NOTE:** You may need a plastic knife to help pull out the plugs. Be careful not to scratch the paint.
- Remove the four screws that secure the door hinges to the dryer front panel. **NOTE:** Remove 1 screw from each of the 2 hinges first. Hold the door firmly before removing the last 2 screws.
- Rotate the door 180° and reinstall the door hinges to the dryer front panel with the 4 screws.
- Install the 4 hinge hole plugs or screws that were removed in step 1 into the open screw holes on the right side of the door opening.



Remove 4 screws—one from each hinge first

Before you call for service...



Troubleshooting Tips
 Save time and money! Review the charts on the following pages first and you may not need to call for service.

Problem	Possible Causes	What To Do
Dryer doesn't start	Dryer is unplugged	<ul style="list-style-type: none"> • Make sure the dryer plug is pushed completely into the outlet.
	Fuse is blown/circuit breaker is tripped	<ul style="list-style-type: none"> • Check the building's fuse/circuit breaker box and replace fuse or reset breaker. NOTE: Electric dryers use two fuses/breakers.
	Thermal limiter tripped	<ul style="list-style-type: none"> • Check the vent for any obstructions. Call authorized service person for replacement, if necessary.
Dryer doesn't heat	Fuse is blown/circuit breaker is tripped, the dryer may tumble but not heat	<ul style="list-style-type: none"> • Check the building's fuse/circuit breaker box and replace fuse or reset breaker. Your dryer may tumble if only one fuse is blown or one breaker tripped.
	Gas service is off	<ul style="list-style-type: none"> • Make sure gas shutoff at dryer and main shutoff are fully open.
	LP gas supply tank is empty or there has been a utility interruption of natural gas (gas models)	<ul style="list-style-type: none"> • Refill or replace tank. Dryer should heat when utility service is restored.
Dryer shakes or makes noise	Some shaking/noise is normal. Dryer may be sitting unevenly	<ul style="list-style-type: none"> • Move dryer to an even floor space, or adjust leveling legs as necessary until even.
Greasy spots on clothes	Improper use of fabric softener	<ul style="list-style-type: none"> • Follow directions on fabric softener package.
	Drying dirty items with clean ones	<ul style="list-style-type: none"> • Use your dryer to dry only clean items. Dirty items can stain clean items and the dryer.
	Clothes were not completely clean	<ul style="list-style-type: none"> • Sometimes stains which cannot be seen when the clothes are wet <i>appear</i> after drying. Use proper washing procedures before drying.
Lint on clothes	Lint filter is full	<ul style="list-style-type: none"> • Clean lint screen before each load.
	Improper sorting	<ul style="list-style-type: none"> • Sort lint producers (like chenille) from lint collectors (like corduroy).
	Static electricity can attract lint	<ul style="list-style-type: none"> • See suggestions in this section under <i>STATIC</i>.
	Overloading	<ul style="list-style-type: none"> • Separate large loads into smaller ones.
	Paper, tissue, etc., left in pockets	<ul style="list-style-type: none"> • Empty all pockets before laundering clothes.

Before you call for service...

Problem	Possible Causes	What To Do
Static occurs	Overdrying	<ul style="list-style-type: none"> • Try a fabric softener. • Adjust controls for less drying.
	No fabric softener was used	<ul style="list-style-type: none"> • Try a fabric softener.
	Synthetics, permanent press and blends can cause static	<ul style="list-style-type: none"> • Try a fabric softener.
Inconsistent drying times	Type of heat	<ul style="list-style-type: none"> • Automatic drying times will vary according to the type of heat used (electric, natural or LP gas), size of load, types of fabrics, wetness of clothes and condition of exhaust ducts.
Clothes take too long to dry	Improper sorting	<ul style="list-style-type: none"> • Separate heavy items from lightweight items (generally, a well-sorted washer load is a well-sorted dryer load).
	Large loads of heavy fabrics (like beach towels)	<ul style="list-style-type: none"> • Large, heavy fabrics contain more moisture and take longer to dry. Separate large, heavy fabrics into smaller loads to speed drying time.
	Controls improperly set	<ul style="list-style-type: none"> • Match control settings to the load you are drying.
	Lint filter is full	<ul style="list-style-type: none"> • Clean lint filter before every load.
	Improper or obstructed ducting	<ul style="list-style-type: none"> • Check <i>Installation Instructions</i> for proper ducting/venting. • Make sure ducting is clean, free of kinks and unobstructed. • Check to see if outside wall damper operates easily. • Check the <i>Installation Instructions</i> to make sure the dryer venting is correct.
	Blown fuses or tripped circuit breaker	<ul style="list-style-type: none"> • Replace fuses or reset circuit breakers. Since most dryers use two fuses/breakers, make sure both are operating.
	Overloading/combining loads	<ul style="list-style-type: none"> • Do not put more than one washer load in the dryer at a time.
Clothes are wrinkled	Underloading	<ul style="list-style-type: none"> • If you are drying only one or two items, add a few items to ensure proper tumbling.
	Overdrying	<ul style="list-style-type: none"> • Select a shorter drying time. • Remove items while they still hold a slight amount of moisture. Select a LESS DRY setting.
	Letting items sit in dryer after cycle ends	<ul style="list-style-type: none"> • Remove items when cycle ends and fold or hang immediately.
	Overloading	<ul style="list-style-type: none"> • Separate large loads into smaller ones.
Clothes shrink	Some fabrics will naturally shrink when washed. Others can be safely washed, but will shrink in the dryer	<ul style="list-style-type: none"> • To avoid shrinkage, follow garment care labels exactly. • Some items may be pressed back into shape after drying. • If you are concerned about shrinkage in a particular item, do not machine wash or tumble dry it.

Notes.

<i>Safety Instructions</i>	<i>Operating Instructions</i>	<i>Installation Instructions</i>	<i>Troubleshooting Tips</i>	<i>Customer Service</i>
-----------------------------------	--------------------------------------	---	------------------------------------	--------------------------------

GE Dryer Warranty. (For customers in the United States)



All warranty service provided by our Factory Service Centers, or an authorized Customer Care® technician. To schedule service, on-line, 24 hours a day, visit us at GEAppliances.com, or call 800.GE.CARES (800.432.2737).

Staple your receipt here.
Proof of the original purchase date is needed to obtain service under the warranty.

Model DPXH46

For The Period Of: GE Will Replace:

One Year

From the date of the original purchase

Any part of the dryer which fails due to a defect in materials or workmanship. During this **full one-year warranty**, GE will also provide, **free of charge**, all labor and related service costs to replace the defective part.

Second Year

From the date of the original purchase

Any part of the dryer which fails due to a defect in materials or workmanship. During this **additional one-year limited warranty**, you will be responsible for any labor and related service costs.

Third through Fifth Year

From the date of the original purchase

Any dryer drum which fails due to a defect in materials or workmanship. During this **additional three-year limited warranty**, you will be responsible for any labor and related service costs.

Models DSXH43 and DH43

For The Period Of: GE Will Replace:

One Year

From the date of the original purchase

Any part of the dryer which fails due to a defect in materials or workmanship. During this **full one-year warranty**, GE will also provide, **free of charge**, all labor and related service costs to replace the defective part.

What GE Will Not Cover:

- Service trips to your home to teach you how to use the product.
- Replacement of house fuses or resetting of circuit breakers.
- Improper installation, delivery or maintenance.
- Damage to the product caused by accident, fire, floods or acts of God.
- Failure of the product if it is abused, misused, or used for other than the intended purpose or used commercially.
- Incidental or consequential damage caused by possible defects with this appliance.
- Replacement of the light bulb.
- Damage caused after delivery.

This warranty is extended to the original purchaser and any succeeding owner for products purchased for home use within the USA. In Alaska, the warranty excludes the cost of shipping or service calls to your home.

Some states do not allow the exclusion or limitation of incidental or consequential damages. This warranty gives you specific legal rights, and you may also have other rights which vary from state to state. To know what your legal rights are, consult your local or state consumer affairs office or your state's Attorney General.

Warrantor: General Electric Company, Louisville, KY 40225

GE Dryer Warranty. (For customers in Canada)



All warranty service provided by our Factory Service Centers, or an authorized technician. For service, call 1.800.361.3400.

Model DCXH46

For The Period Of:	GE Will Replace:
One Year From the date of the original purchase	Any part of the dryer which fails due to a defect in materials or workmanship. During this full one-year warranty , GE will also provide, free of charge , all labor and related service costs to replace the defective part.
Second Year From the date of the original purchase	Any part of the dryer which fails due to a defect in materials or workmanship. During this additional one-year limited warranty , you will be responsible for any labor and related service costs.

Model PSXH43

For The Period Of:	GE Will Replace:
One Year From the date of the original purchase	Any part of the dryer which fails due to a defect in materials or workmanship. During this full one-year warranty , GE will also provide, free of charge , all labor and related service costs to replace the defective part.

What GE Will Not Cover:

- Service trips to your home to teach you how to use the product.
- Improper installation.
- Failure of the product if it is abused, misused, or used for other than the intended purpose or used commercially.
- Replacement of house fuses or resetting of circuit breakers.
- Damage to the product caused by accident, fire, floods or acts of God.
- Incidental or consequential damage caused by possible defects with this appliance.
- Damage to finish not reported within 48 hours following the delivery of the appliance.

WARRANTOR IS NOT RESPONSIBLE FOR CONSEQUENTIAL DAMAGES

Warrantor: CAMCO INC.

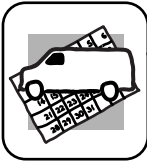
Consumer Support.



GE Appliances Website

In the U.S.: **GEAppliances.com**

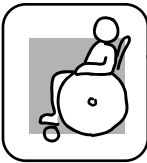
Have a question or need assistance with your appliance? Try the GE Appliances Website 24 hours a day, any day of the year! For greater convenience and faster service, you can now download Owner's Manuals, order parts, catalogs, or even schedule service on-line. You can also "Ask Our Team of Experts™" your questions, and so much more... **In Canada: geappliances.ca.**



Schedule Service

In the U.S.: **GEAppliances.com**

Expert GE repair service is only one step away from your door. Get on-line and schedule your service at your convenience 24 hours any day of the year! Or call 800.GE.CARES (800.432.2737) during normal business hours. **In Canada, call 1.800.361.3400.**



Real Life Design Studio

In the U.S.: **GEAppliances.com**

GE supports the Universal Design concept—products, services and environments that can be used by people of all ages, sizes and capabilities. We recognize the need to design for a wide range of physical and mental abilities and impairments. For details of GE's Universal Design applications, including kitchen design ideas for people with disabilities, check out our Website today. For the hearing impaired, please call 800.TDD.GEAC (800.833.4322).

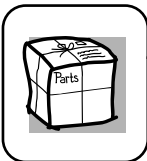
In Canada, contact: Manager, Consumer Relations, Camco, Inc.
Suite 310, 1 Factory Lane
Moncton, N.B. E1C 9M3



Extended Warranties

In the U.S.: **GEAppliances.com**

Purchase a GE extended warranty and learn about special discounts that are available while your warranty is still in effect. You can purchase it on-line anytime, or call 800.626.2224 during normal business hours. GE Consumer Home Services will still be there after your warranty expires. **In Canada, call 1.888.261.2133.**



Parts and Accessories

In the U.S.: **GEAppliances.com**

Individuals qualified to service their own appliances can have parts or accessories sent directly to their homes (VISA, MasterCard and Discover cards are accepted). Order on-line today, 24 hours every day or by phone at 800.626.2002 during normal business hours.

Instructions contained in this manual cover procedures to be performed by any user. Other servicing generally should be referred to qualified service personnel. Caution must be exercised since improper servicing may cause unsafe operation.

Customers **in Canada** should consult the yellow pages for the nearest Camco service center, or call 1.888.261.3055.



Contact Us

In the U.S.: **GEAppliances.com**

If you are not satisfied with the service you receive from GE, contact us on our Website with all the details including your phone number, or write to: General Manager, Customer Relations
GE Appliances, Appliance Park
Louisville, KY 40225

In Canada: geappliances.ca, or write to: Director, Consumer Relations, Camco, Inc.
Suite 310, 1 Factory Lane
Moncton, N.B. E1C 9M3



Register Your Appliance

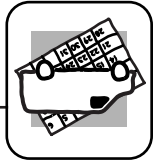
In the U.S.: **GEAppliances.com**

Register your new appliance on-line—at your convenience! Timely product registration will allow for enhanced communication and prompt service under the terms of your warranty, should the need arise. You may also mail in the pre-printed registration card included in the packing material. **In Canada: geappliances.ca.**



Site Web appareils électroménagers GE
electromenagers.ca

Vous avez une question ou vous avez besoin d'aide pour votre appareil électroménager? Contactez-nous par Internet au site **electromenagers.ca** 24 heures par jour, tous les jours de l'année.



Service de réparations
1.800.361.3400

Service de réparations GE est tout près de vous. Pour faire réparer votre électroménager GE, il suffit de nous téléphoner.



Studio de conception réaliste

Sur demande, GE peut fournir une brochure sur l'aménagement d'une cuisine pour les personnes à mobilité réduite.

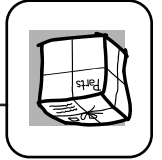
Ecrivez: Directeur, Relations avec les consommateurs, Camco, Inc.
Bureau 310, 1 Factory Lane
Moncton, N.B. E1C 9M3



Prolongation de garantie
electromenagers.ca

Achiez un contrat d'entree GE avant que votre garantie n'expire et bénéficiez d'un rabais substantiel. Ainsi le service après-vente GE sera toujours la après expiration de la garantie.

Visitez notre site Web ou appelez-nous au 1.800.461.3636.

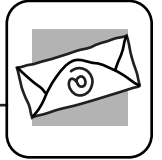


Pièces et accessoires

Ceux qui désirent réparer eux-mêmes leurs électroménagers peuvent recevoir pièces et accessoires directement à la maison (cartes VISA, MasterCard et Discover acceptées).

Les directives stipulées dans le présent manuel peuvent être effectuées par n'importe quel utilisateur. Les autres réparations doivent généralement être effectuées par un technicien qualifié. Soyez prudent, car une réparation inadéquate peut affecter le fonctionnement sécuritaire de l'appareil.

Vous trouverez dans les pages jaunes de votre annuaire le numéro du Centre de service Camco le plus proche. Autrement, appelez-nous au 1.888.261.3055.



Contactez-nous

Si vous n'êtes pas satisfait du service après-vente dont vous avez bénéficié :
Premièrement, communiquez avec les gens qui ont réparé votre appareil.
Ensuite, si vous n'êtes toujours pas satisfait envoyez tous les détails–numéro de téléphone compris–au Directeur, Relations avec les consommateurs, Camco, Inc.
Bureau 310, 1 Factory Lane
Moncton, N.B. E1C 9M3



Inscrivez votre appareil électroménager
electromenagers.ca

Inscrivez votre appareil électroménager en direct, aussitôt que possible. Cela améliorera nos communications et notre service après-vente. Vous pouvez également nous envoyer par la poste le formulaire d'inscription joint à votre documentation.

Toutes les réparations sous garantie seront effectuées par nos centres de réparation ou nos réparateurs autorisés. Appelez le 1.800.361.3400.



Modèle DCXH46

Pour une période de :

GF remplacera :

Un an

À compter de la date

d'achat d'origine

Toute pièce de la sècheuse qui se révèle défectueuse en raison d'un vice de matériaux ou de fabrication. Pendant cette **garantie complète de un an**, GF prendra en charge également, gratuitement, tous les frais de main-d'œuvre et les frais connexes de service pour remplacer la pièce défectueuse.

Deuxième année

À compter de la date

d'achat d'origine

Toute pièce de la sècheuse qui se révèle défectueuse en raison d'un vice de matériaux ou de fabrication. Pendant cette **garantie limitée complémentaire de un an**, vous devez assumer tous les frais de main d'œuvre et les frais connexes de service.

Modèle PSXH43

Pour une période de :

GF remplacera :

Un an

À compter de la date

d'achat d'origine

Toute pièce de la sècheuse qui se révèle défectueuse en raison d'un vice de matériaux ou de fabrication. Pendant cette **garantie complète de un an**, GF prendra en charge également, gratuitement, tous les frais de main-d'œuvre et les frais connexes de service pour remplacer la pièce défectueuse.

Ce qui n'est pas couvert :

- Toute visite à votre domicile pour vous expliquer le fonctionnement de l'appareil.
- Une installation inadéquate.
- Toute défectuosité du produit lorsqu'il est utilisé de façon abusive, à des fins commerciales ou à toute autre fin que celle pour laquelle il a été conçu.
- Le remplacement des fusibles ou le réenclenchement des disjoncteurs du panneau de distribution.
- Tout dommage au produit attribuable à un accident, un incendie, une inondation ou un cas de force majeure.
- Tout dommage direct ou indirect causé en raison d'une défectuosité éventuelle de cet appareil.
- Tout dommage à la finition qui n'a pas été signalé dans les 48 heures qui suivent la livraison de l'appareil électroménager.

LE FABRICANT NE SERA PAS TENU RESPONSABLE DES DOMMAGES INDIRECTS.

Garant : CAMCO INC.

<i>Service à la clientèle</i>	<i>Conseils de dépannage</i>	<i>Directives d'installation</i>	<i>Fonctionnement</i>	<i>Mesures de sécurité</i>
--------------------------------------	-------------------------------------	---	------------------------------	-----------------------------------

Problème	Causes possibles		Correctifs
Electricité statique	Séchage excessif		<ul style="list-style-type: none"> • Utilisez un produit assouplissant.
Durées de séchage irrégulières	Type de chaleur		<ul style="list-style-type: none"> • Les durées de séchage automatiques varieront selon le type d'énergie utilisée (électrique, gaz naturel ou gaz de pétrole liquéfié), la grosseur de la brassée, le type de tissu, l'humidité des vêtements et l'état des conduits d'évacuation.
Les vêtements prennent trop de temps à sécher	Tri incorrect	<ul style="list-style-type: none"> • Séparez les articles lourds des articles légers (en général, lorsque la brassée est bien tirée pour le lavage, elle l'est aussi pour le séchage). 	<ul style="list-style-type: none"> • Les gros articles lourds retiennent davantage d'humidité (comme des serviettes de plage) et prennent plus de temps à sécher. Faites sécher de plus petites brassées pour accélérer le séchage. • Réglez les commandes en fonction de la brassée que vous faites sécher.
	Commandes mal réglées	<ul style="list-style-type: none"> • Nettoyez le filtre à charpie avant chaque utilisation. • Vérifiez les <i>Directives d'installation</i> pour que le conduit d'évacuation soit adéquat. • Assurez-vous que le conduit est propre, qu'il n'est pas pincé ni obstrué. • Vérifiez si le volet de l'évent mural bouge librement. • Voir la section <i>Directives d'installation</i> pour vous assurer que l'air de la sècheuse est correctement évacué. 	<ul style="list-style-type: none"> • Remplacez les fusibles ou réenclenchez les disjoncteurs. Comme la plupart des sècheuses nécessitent deux fusibles/disjoncteurs, assurez-vous que les deux sont en bon état.
	Filter à charpie plein	<ul style="list-style-type: none"> • Nettoyez le filtre à charpie avant chaque utilisation. 	
	Conduit d'évacuation inadéquat ou obstrué	<ul style="list-style-type: none"> • Vérifiez les <i>Directives d'installation</i> pour que le conduit d'évacuation soit adéquat. 	
	Fusibles grillés ou disjoncteurs déclenchés	<ul style="list-style-type: none"> • Remplacez les fusibles ou réenclenchez les disjoncteurs. Comme la plupart des sècheuses nécessitent deux fusibles/disjoncteurs, assurez-vous que les deux sont en bon état. 	
	Surcharge/brassées mélangées	<ul style="list-style-type: none"> • Ne mettez qu'une brassée dans la sècheuse à la fois. 	<ul style="list-style-type: none"> • Lorsque vous ne faites sécher qu'un ou deux articles, ajoutez quelques articles pour assurer un culbutage adéquat.
Les vêtements sont froissés	Séchage excessif	<ul style="list-style-type: none"> • Réglez une durée de séchage plus courte. • Retirez les vêtements de la sècheuse lorsqu'ils sont encore légèrement humides. Choisissez un réglage LESS DRY (moins sec). 	<ul style="list-style-type: none"> • Retirez les articles de la sècheuse lorsque le programme est terminé. Pliiez-les ou suspendez-les immédiatement.
	Articles laissés dans la sècheuse après la fin du programme		
	Surcharge	<ul style="list-style-type: none"> • Divisez les grosses brassées en brassées plus petites. 	
Les vêtements rétrécissent	Certains tissus rétrécissent au lavage. D'autres peuvent être lavés en toute sécurité mais rétrécissent au séchage		<ul style="list-style-type: none"> • Pour éviter tout rétrécissement, suivez à la lettre les directives sur l'étiquette d'entretien des vêtements. • Certains articles peuvent retrouver leur forme d'origine après le séchage grâce à un pressage. • Lorsque vous ne savez pas si un article rétrécit ou non, ne le lavez pas ou ne le faites pas sécher à la machine.

Avant d'appeler un réparateur...

Conseils de dépannage
 Économisez du temps et de l'argent! Consultez d'abord les tableaux qui suivent et vous pourrez peut-être éviter de faire appel à un réparateur.



Mesures de sécurité

Fonctionnement

Directives d'installation

Conseils de dépannage

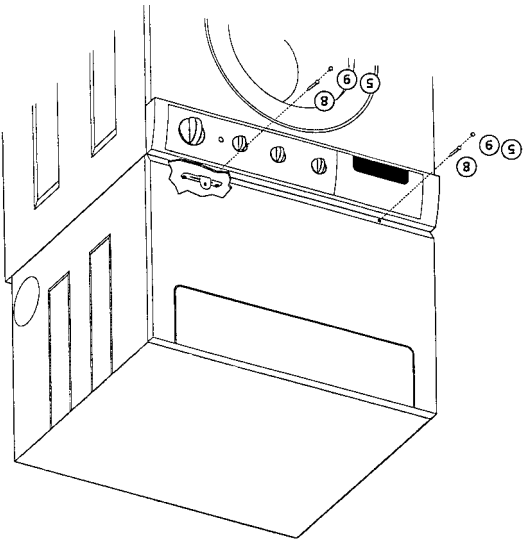
Service à la clientèle

Problème	Causes possibles	Correctifs
La sècheuse ne fonctionne pas	Fusible grille/disjoncteur déclenché	<ul style="list-style-type: none"> • Vérifiez le bon fonctionnement de la boîte de fusibles ou de disjoncteurs de la résidence et remplacez le fusible ou le disjoncteur si un seul fusible a sauté ou un seul disjoncteur est déclenché. • Assurez-vous que le robinet d'alimentation en gaz de la sècheuse et de la conduite de gaz sont ouverts. • Remplissez ou remplacez le réservoir. La sècheuse devrait produire de la chaleur lorsque le service sera rétabli.
La sècheuse ne chauffe pas	Fusible grille/disjoncteur déclenché, la sècheuse tourne, mais ne chauffe pas	<ul style="list-style-type: none"> • Vérifiez le bon fonctionnement de la boîte de fusibles ou de disjoncteurs de la résidence et remplacez le fusible ou le disjoncteur si un seul fusible a sauté ou un seul disjoncteur est déclenché. • Assurez-vous que le robinet d'alimentation en gaz de la sècheuse et de la conduite de gaz sont ouverts. • Le réservoir de gaz de pétrole liquéfié est vide ou il y a eu interruption du service de gaz naturel (modèles à gaz)
La sècheuse est bruyante ou vibre	Un peu de vibration/bruit est normal. La sècheuse ne repose pas solidement sur le plancher	<ul style="list-style-type: none"> • Installez la sècheuse sur un plancher uniforme, ou faites en sorte qu'elle soit bien de niveau.
Taches de graisse sur les vêtements	Utilisation inadéquate d'assouplissant	<ul style="list-style-type: none"> • Suivez les directives sur l'emballage de l'assouplissant.
Séchage d'articles sales avec des articles propres	Ne faites sécher que des articles propres dans votre sècheuse. Les articles sales peuvent tacher les articles propres et la sècheuse.	<ul style="list-style-type: none"> • Quelques fois les taches qui sont invisibles lorsque les articles sont mouillés <i>apparaissent</i> après le séchage. Utilisez les procédés de lavage corrects avant de sécher.
Chaprie sur les vêtements	Nettoyage insuffisant des vêtements	<ul style="list-style-type: none"> • Nettoyez le filtre à charpie avant chaque utilisation. • Séparez les tissus produisant de la charpie (comme la chenille) de ceux qui la recueillent (comme le velours côtelé).
	Chaprie attirée par l'électricité statique	<ul style="list-style-type: none"> • Voir les suggestions données à la section <i>ELECTRICITE STATIQUE</i>.
	Surcharge	<ul style="list-style-type: none"> • Divisez les grosses charges en brassées plus petites.
	Papier, papier mouchoir, etc., oubliés dans les poches	<ul style="list-style-type: none"> • Videz toutes les poches avant de laver les vêtements.

Directives pour la superposition-Inversion de l'ouverture de la porte

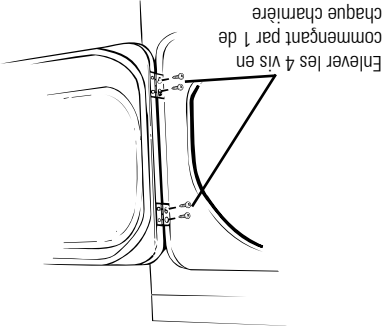
10. Veuillez vous référer aux directives d'installation de la laveuse et de la sècheuse pour une installation et un fonctionnement adéquats.

11. Conservez le panneau supérieur et les supports au cas où vous devriez effectuer une installation côté-à-côté dans le futur.



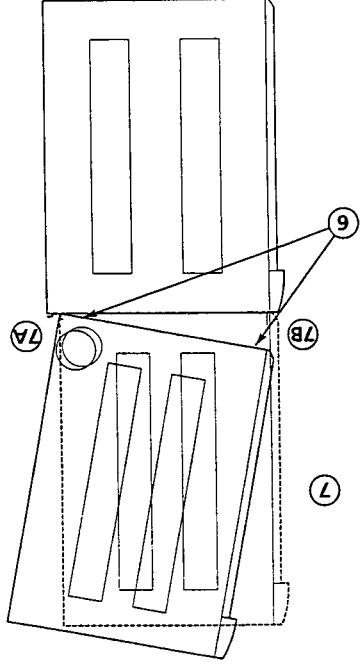
Inversion de l'ouverture de la porte

1. Ouvrez la porte de la sècheuse. Enlevez les 4 bouchons ou vis des ouvertures du côté gauche de l'ouverture de la porte. Placez-les à proximité pour installation future.
2. Enlevez les 4 vis qui retiennent les charnières au panneau frontal de la sècheuse. **REMARQUE :** Enlevez d'abord 1 vis de chacune des charnières. *Tenez bien la porte avant d'enlever les 2 dernières vis.*
3. Effectuez une rotation de la porte de 180° et réinstallez les charnières au panneau frontal de la sècheuse avec les 4 vis.
4. Installez les 4 bouchons ou vis que vous avez enlevés à l'étape 1 à l'intérieur des trous de vis sur le côté droit de l'ouverture de la porte.



Les chiffres de l'illustration correspondent aux étapes de l'installation.

5. En vous servant du bout de la lame d'un couteau à masticquer recouverte d'un ruban masqué, et en procédant avec précaution, enlevez les bouchons contenus dans les ouvertures situées dans le bas du panneau frontal de la sècheuse.
6. Enlevez les 4 pieds de la base de la sècheuse.
7. Placez la sècheuse sur le dessus de la laveuse. Glissez la sècheuse vers les supports arrière (7A) en déposant ensuite l'avant de la sècheuse à l'intérieur des supports situés à l'avant (7B).



8. Insérez les 2 vis longues fournies dans l'ensemble à travers les trous du panneau avant de la sècheuse et installez-les dans les supports situés à l'avant.
9. Installez les bouchons que vous avez enlevés à l'étape 5.

Installation de la sècheuse sur la laveuse

Les chiffres de l'illustration correspondent aux étapes de l'installation.

1. Enlevez le panneau supérieur de la laveuse en dévissant les 4 vis qui se trouvent dans les deux supports situés à la partie supérieure de l'arrière de la laveuse.

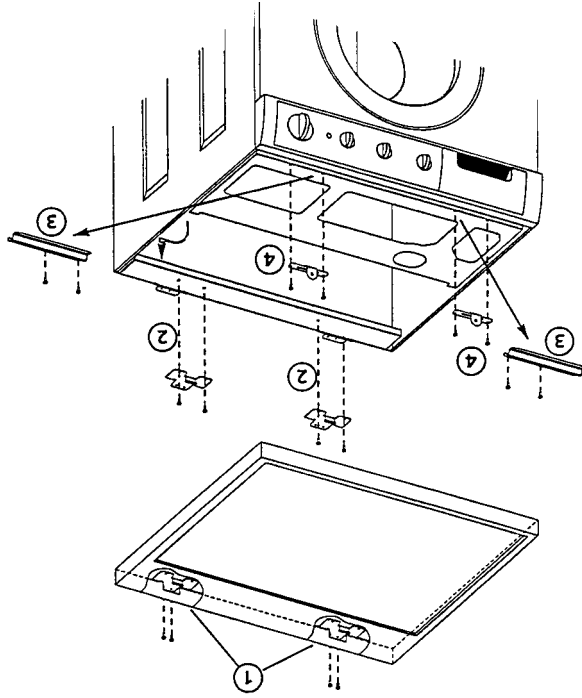
Glissez le panneau vers l'avant, soulevez le devant du panneau et enlevez le panneau.

Enlevez les 2 supports du panneau supérieur.

2. En vous servant des 4 vis que vous avez enlevées à l'étape 1, installez les supports dans le support arrière tel qu'indiqué.

3. Enlever les 4 vis et les 2 supports longs situés à l'avant de la partie supérieure de la laveuse.

4. Installez les 2 nouveaux supports d'installation fournis en vous servant des 4 vis que vous avez enlevées à l'étape 3. Prenez note que les pattes des supports d'installation à l'avant de la laveuse font face à l'avant de la laveuse tel qu'indiqué sur l'illustration.



⚠ Avertissement :

- Pour réduire les risques de chocs électriques, débranchez l'appareil avant d'effectuer tout entretien. Le fait de placer les contrôles à la position **OFF** ne coupe pas l'alimentation électrique de l'appareil.
- Veuillez vous référer aux directives d'installation de la laveuse et de la sècheuse avant de superposer les appareils. Il vous sera alors plus facile d'effectuer l'installation et vous assurerez d'un fonctionnement adéquatement adéquat et sécuritaire. Une installation inadéquate pourrait constituer un danger d'incendie et/ou de blessure.

Outils requis pour superposer la sècheuse.

- Tournevis à tête Phillips
- Pince channel-lock réglable

Raccord au gaz pour sècheses à gaz

1. Enlevez le bouchon d'expédition de la conduite de gaz à l'arrière de la sècheuse.

Conversion au gaz propane : Ne branchez **PAS** la sècheuse au service du gaz de pétrole liquéfié sans que le robinet du gaz ait été converti. Un ensemble de conversion au gaz de pétrole liquéfié (N° Pub. 14-A038) **DOIT** être installé par un technicien qualifié dans l'installation d'appareils au gaz.

a. Reliez un tuyau semi-rigide ou un tuyau homologué de 1/2 po (1,27 cm) de diamètre interne au tuyau d'alimentation de gaz et au tuyau de 3/8 po (0,96 cm) située à l'arrière de la sècheuse. Utilisez un raccord de réduction de 1/2 po à 3/8 po (1,27 cm à 0,96 cm) pour effectuer le raccord. Appliquez un scellement homologué pour joints filetés résistant à l'action corrosive du gaz de pétrole liquéfié sur tous les raccords de tuyaux.

b. Ouvrez le robinet d'arrêt de l'alimentation de gaz. c. Vérifiez tous les raccords en utilisant une solution d'eau savonneuse.

⚠️ AVERTISSEMENT : N'UTILISEZ JAMAIS UNE FLAMME POUR DÉCELER LES FUITES DE GAZ.

2. Reliez le conduit d'évacuation au système d'évacuation extérieur. Utilisez du ruban adhésif en toile pour sceller tous les joints.

3. Lorsque la sècheuse est à son emplacement définitif, ajustez un ou plusieurs des pieds jusqu'à ce que la sècheuse soit bien stable. Placez un niveau sur le dessus de la sècheuse. **LA SÈCHEUSE DOIT ÊTRE DE NIVEAU ET BIEN SOLIDE SUR SES PIEDS.**

4. Branchez le cordon d'alimentation dans une prise mise à la terre.

REMARQUE : Assurez-vous que le courant est hors tension à la boîte de disjoncteurs/fusibles avant de brancher le cordon d'alimentation.

5. Mettez le courant sous tension à la boîte de disjoncteurs/fusibles.

⚠️ MISE EN GARDE :

Avant de mettre la sècheuse en marche, assurez-vous que l'environnement de la sècheuse est exempt de matériaux combustibles, gazoline et autres matières inflammables. Assurez-vous également qu'aucun article (boîtes, vêtements, etc.) n'obstrue la circulation d'air adéquate pour la combustion ou la ventilation.

6. Faites fonctionner la sècheuse durant un programme pour vérifier l'opération adéquate de l'appareil.

REMARQUE : Avant que le brûleur d'une sècheuse à gaz s'allume, il faut que l'air de la conduite de gaz soit purgé. Si le brûleur ne s'allume pas dans les 45 secondes suivant la mise en marche de la sècheuse, l'interrupteur de sécurité éteindra le brûleur. Si cela se produit, ramenez la minuterie à **OFF** et attendez 5 minutes avant de faire une nouvelle tentative.

7. Si votre sècheuse ne fonctionne pas, veuillez consulter la section *Conseils de dépannage* de ce manuel avant d'appeler le service après-vente.

8. Placez ces directives près de la sècheuse pour référence future.

Circuit à trois fils pour sècheuses électriques

PAS pour usage au Canada.

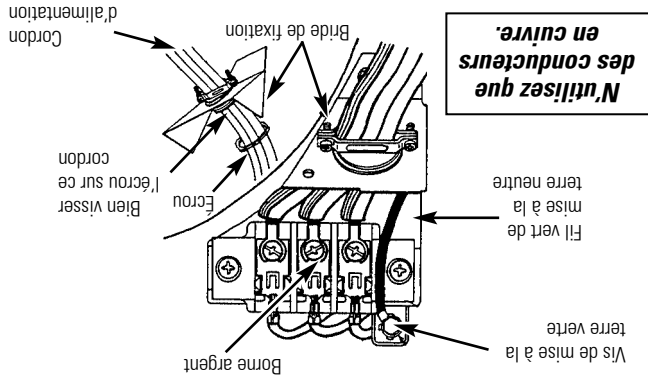
NE PAS utiliser pour les installations dans les

maisons mobiles.

PAS pour usage dans une nouvelle construction.

1. Enlevez les vis qui ferment la cache du système d'accès au terminal et la bride de fixation située à l'arrière au coin supérieur de la sècheuse.

2. Installez une bride de cordon certifiée UL dans l'ouverture du cordon de la bride de fixation. À ce moment-ci, resserrer l'écrou à la main seulement.



3. Faites passer un cordon d'alimentation en cuivre de norme UL 30A, 240V, 3#10AWG par le réducteur de tension.

4. Reliez le conducteur neutre du cordon d'alimentation (fil du centre) à la borne argent du terminal (au centre). Resserrer bien la vis.

5. Reliez les deux autres conducteurs du cordon d'alimentation (périphériques) (un de chaque côté) aux bornes périphériques de couleur cuivre du terminal (de chaque côté). Resserrer bien les deux vis.

⚠ Avertissement : Ne pliez ou ne pincez pas les fils/conducteurs près des raccords.

6. Fixez à nouveau le support de montage du réducteur de tension à l'arrière de la sècheuse à l'aide des vis fournies. Serrez les vis fort.

7. Resserrez bien les vis qui retiennent la bride de cordon sur le cordon d'alimentation.

8. Resserrez bien l'écrou de la bride de cordon afin que la bride de cordon ne bouge pas.

9. Remplacez la cache du système d'accès au terminal.

Circuit à quatre fils pour sècheuses électriques

En vigueur le 1^{er} janvier 1996 : Le Code national de

l'électricité exige que les nouvelles constructions (non existantes) utilisent une connexion à quatre

fils pour une sècheuse électrique.

Àu Canada, un cordon d'alimentation à quatre fils est installé sur la sècheuse.

1. Enlevez les vis qui ferment la cache du système d'accès au terminal et la bride de fixation située à l'arrière au coin supérieur de la sècheuse.

2. Installez une bride de cordon certifiée UL dans l'ouverture du cordon de la bride de fixation. À ce moment-ci, resserrer l'écrou à la main seulement.

3. Enlevez le fil vert de mise à la terre neutre de la vis de mise à la terre verte située sur le dessus du terminal.

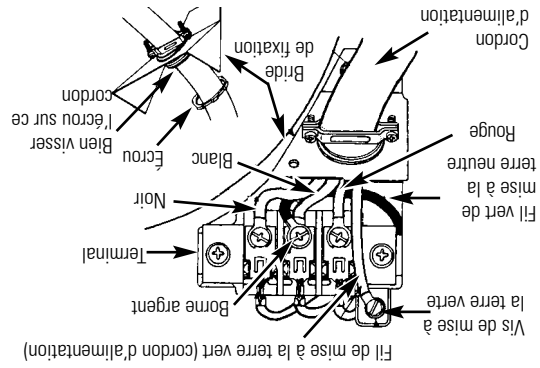


4. Faites passer un cordon d'alimentation en cuivre de norme minimum UL 30A, 240V, 4#10 AWG par le réducteur de tension.

5. Reliez la broche de mise à la terre du fil vert du cordon d'alimentation à la cache au moyen de la vis de mise à la terre verte.

6. Reliez la broche blanche (neutre) du cordon d'alimentation et le fil de mise à la terre vert du faisceau de la sècheuse à la borne argent située au centre du terminal. Resserrer bien la vis.

7. Reliez les broches rouge et noir du cordon d'alimentation aux bornes périphériques de couleur cuivre du terminal.



⚠ Avertissement : Ne pliez ou ne pincez pas les fils/conducteurs près des raccords.

8. Resserrez bien les vis qui retiennent la bride de cordon sur le cordon d'alimentation.

9. Resserrez bien l'écrou de la bride de cordon afin que la bride de cordon ne bouge pas.

10. Remplacez la cache du système d'accès au terminal.

Exigences de mise à la terre

⚠️ AVERTISSEMENT : Un mauvais

raccordement des conducteurs de mise à la terre et de l'équipement peut présenter des risques de chocs électriques. Dans le doute, demandez à un électricien agréé de vérifier si votre appareil est correctement mis à la terre.

La sécheuse **DOIT** être mise à la terre. Dans le cas d'un mauvais fonctionnement ou d'une panne, la mise à la terre réduit le risque de chocs électriques en créant une trajectoire de moindre résistance pour le courant électrique.

Cet appareil doit être mis à la terre en conformité avec les codes et règlements locaux, ou en l'absence de codes locaux, en conformité avec le Code national de l'électricité, ANSI/NFPA N° 70.

Sécheuse électrique mise à la terre au moyen d'un cordon pourvu d'une broche de mise à la terre.

Si votre sécheuse est munie d'un cordon d'alimentation pourvu d'un conducteur de mise à la terre et d'une broche de mise à la terre, la fiche **DOIT** être branchée dans un réceptacle muni d'un fil de cuivre approprié (aux E.-U.), ou au Canada, une prise appropriée, qui est adéquatement installée et mis à la terre en conformité avec tous les codes et règlements locaux. *En cas de doute, consultez un électricien agréé.*

Sécheuse électrique branchée en permanence :

- La sécheuse **DOIT** être branchée à un réseau de fils en métal permanents et mis à la terre; ou un conducteur de mise à la terre doit suivre les conducteurs du circuit et être branché au terminal de mise à la terre ou à un conducteur sur la sécheuse.

Sécheuse à gaz mise à la terre au moyen d'un cordon pourvu d'une broche de mise à la terre.

- Cette sécheuse est munie d'une fiche à trois broches (mise à la terre) pour vous protéger des chocs électriques, qui devrait être branchée directement dans une prise à trois alvéoles. Ne coupez pas ou n'enlevez pas la broche de mise à la terre de cette fiche. Ne modifiez pas la prise de courant de cet appareil. Si elle ne s'adapte pas à la prise murale, demandez à votre électricien qualifié de monter une prise adéquate.

Installation électrique pour sécheuses électriques

⚠️ AVERTISSEMENT : Voici

des exigences spécifiques pour l'installation électrique convenable et sécuritaire de votre sécheuse. Le défaut de suivre ces directives peut provoquer des chocs électriques et/ou des dangers d'incendie.

Cet appareil **DOIT** être convenablement mis à la terre. Des chocs électriques peuvent survenir si la sécheuse n'est pas convenablement mise à la terre. Suivez les directives indiquées dans ce manuel concernant la mise à la terre.

N'utilisez **PAS** de rallonge électrique avec cette sécheuse.

Les cordons de certains rallonges ne sont pas conçus pour supporter le courant électrique que cette sécheuse utilise et peuvent fondre, provoquant des chocs électriques et/ou des dangers d'incendie. Installez la sécheuse près d'une prise murale, en fonction de la longueur du cordon que vous achetez; prévoyez une longueur suffisante pour lui assurer un peu de mou. Veuillez vous référer à la section *Installations électriques* du présent manuel pour des renseignements concernant la rallonge que vous devez acheter.

Une bride de cordon certifiée UL doit être installée sur le cordon d'alimentation. Si une telle bride n'est pas attachée au cordon, ce dernier peut être tiré à l'extérieur de la sécheuse et coupé lors d'un mouvement, provoquant des chocs électriques.

REMARQUE : Les temps de séchage des sécheuses fonctionnant sur une alimentation électrique de 208 V seront plus longs que ceux des sécheuses fonctionnant sur une alimentation de 240 V.

Un diagramme de câblage est situé sous le panneau supérieur.

Installation dans une maison mobile

1. L'air de la sècheuse **DOIT** être évacué à l'extérieur (et non en-dessous de la maison mobile) en utilisant un conduit en métal à l'épreuve de la combustion. Le conduit en métal doit avoir 4 po (10,16 cm) de diamètre et ne doit pas être obstrué. Il est préférable d'utiliser un conduit en métal rigide.

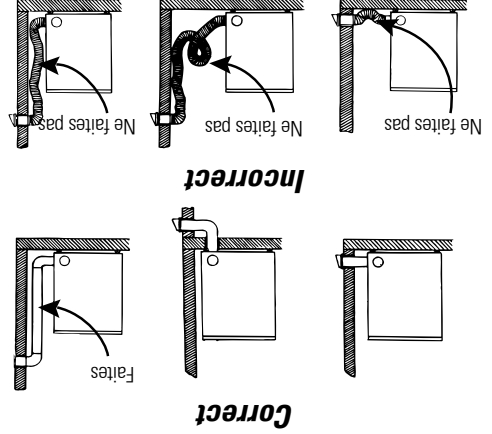
2. Si la sècheuse fait sortir l'air par le plancher, le système d'échappement **NE DOIT PAS** se terminer sous la maison mobile. Le système d'échappement **DOIT** se terminer en se fixant solidement à la structure de la maison mobile.

3. Au moment de l'installation d'une sècheuse à gaz dans une maison mobile, il faut prévoir une admission d'air de compensation. Cette admission d'air ne doit pas être inférieure à deux fois la dimension de la bouche d'évacuation.

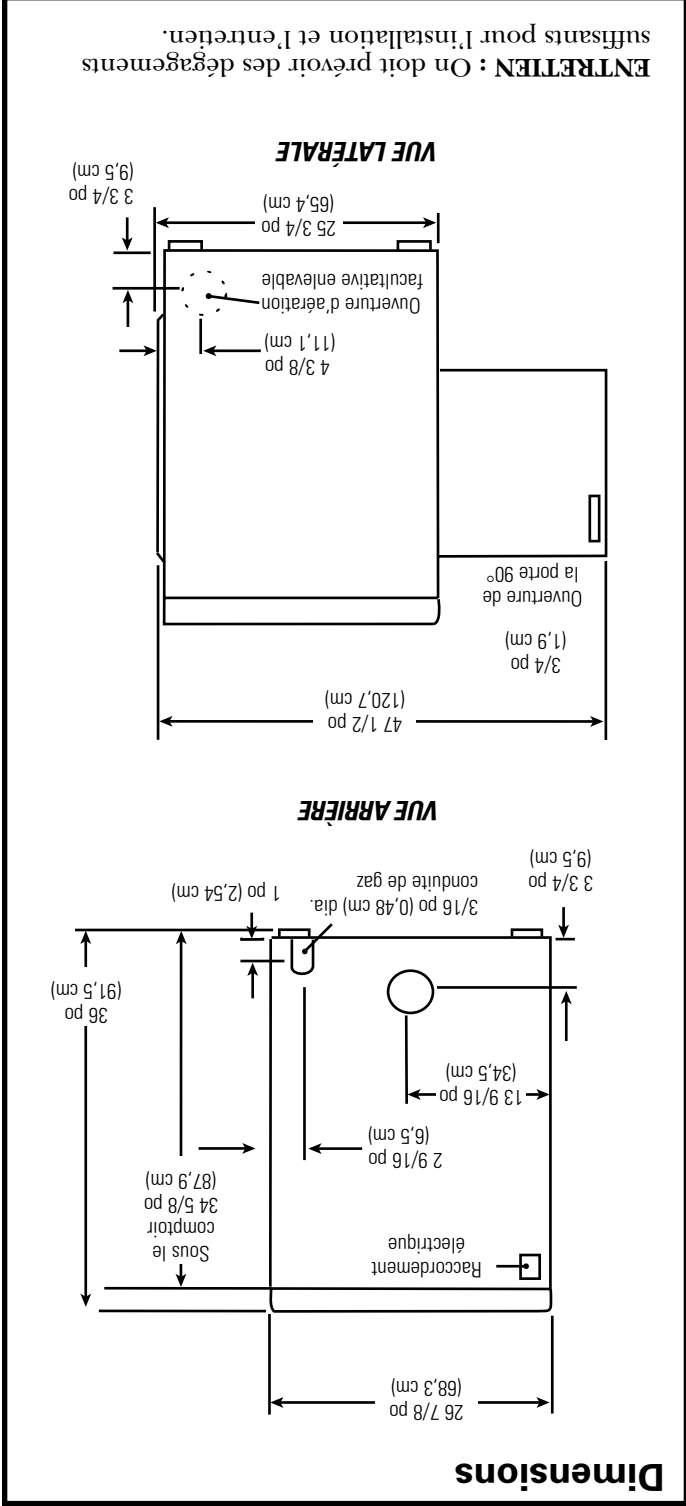
4. Les sècheuses à gaz **DOIVENT** être fixées au plancher à l'aide d'une trousse Mobile Home Installation Kit Pub. N° 14-D346-33.

5. Veuillez vous référer à la section *Exigences relatives au système d'évacuation* pour d'autres renseignements importants concernant l'évacuation de l'air.

6. L'installation **DOIT** respecter les Normes de construction et de sécurité pour les maisons usinées (qui est un Titre de juridiction fédérale 24 CFR-Partie 32-80) ou, lorsque cette norme ne peut être mise en application, la Norme nationale américaine pour les maisons mobiles ANSI/NFPA N° 501B. Au Canada, la norme CSA Z240 s'applique.



La sècheuse est conçue selon la norme ANSI Z 21.5.1.



ENTRETIEN : On doit prévoir des dégagements suffisants pour l'installation et l'entretien.

Emplacement

1. N'installez pas la sècheuse dans un endroit où elle peut être trempée ou exposée à des intempéries.

2. N'installez pas la sècheuse dans un endroit où elle serait en contact avec des rideaux, des draperies ou tout autre article qui entraverait la circulation d'air adéquate pour la combustion ou la ventilation.

3. N'installez pas la sècheuse sur du tapis. Le plancher **DOIT** être solide et d'une pente maximale de 1 po (2,54 cm).

Modèle encastré :

Si vous désirez un modèle encastré*, vous **DEVÉZ** installer un ensemble de feuille de finition, N° Pub. 14-A008. L'ensemble est disponible chez votre détaillant GE.

* un revêtement de comptoir sur mesure est requis.

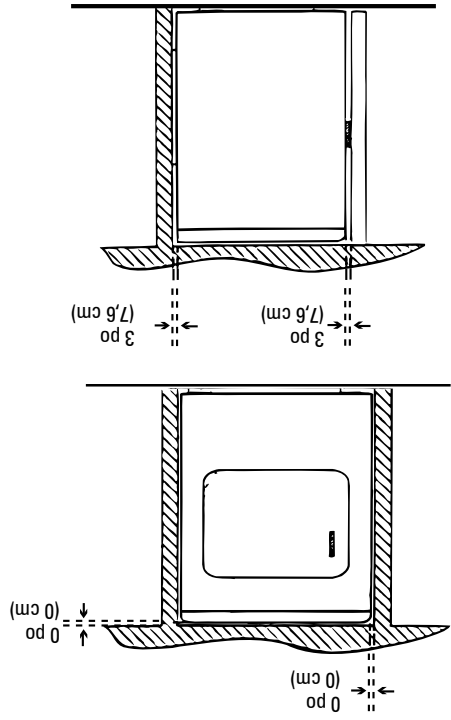
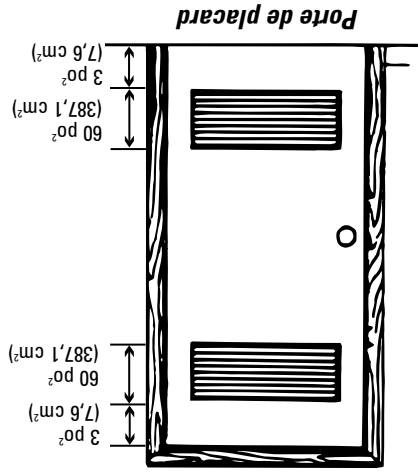
Installation dans un renfoncement

ou un placard :

1. L'air de cette sècheuse **DOIT** sortir à l'extérieur. Aucun autre appareil à combustible ne doit être installé dans le même placard qu'une **SÈCHEUSE À GAZ**.

3. Votre sècheuse doit bénéficier d'un espace pour la ventilation. N'INSTALLEZ PAS VOTRE SÈCHEUSE DANS UN PLACARD MUNI D'UNE PORTE PLEINE.

4. Les portes du placard doivent avoir des persiennes ou être autrement ventilées et doivent avoir au moins 60 pouces carrés d'ouvertures également distribués. Si le placard contient une laveuse et une sècheuse, ses portes doivent contenir au moins 120 pouces carrés d'ouvertures également distribués. Des ouvertures d'air doivent demeurer libres quand une porte est installée. Une porte avec persiennes avec des ouvertures équivalentes sur toute la longueur de la porte est également acceptable.



L'AIR DE CETTE SÈCHEUSE DOIT ÊTRE ÉVACUÉ À L'EXTÉRIEUR.

5. Les illustrations suivantes indiquent les dimensions minimales pour les dégagements requis pour un fonctionnement adéquat dans un renfoncement ou un placard.

Laissez les dégagements suivants pour faciliter l'installation :

Dessus	Arrière	Côtés	Devant	En alcôve, remplie	Sous le comptoir	ou placard
0 (0 cm)	3 po (7,6 cm)	0 (0 cm)	3 po (7,6 cm)	0 (0 cm)	0 (0 cm)	0 (0 cm)

Exigences relatives à l'alimentation en gaz

Remplacez les tuyaux de raccordement en laiton qui ne sont pas enrobés de matière plastique. Du laiton en acier inoxydable ou enrobé de matière plastique **DOIT** être utilisé.

⚠ AVERTISSEMENT : N'utilisez

jamais de vieux raccords souples. L'utilisation de vieux raccords souples peut provoquer des fuites de gaz et des blessures. Utilisez toujours des connecteurs souples **NEUFS** lorsque vous installez un appareil à gaz.

1. L'installation **DOIT** être conforme aux codes locaux, ou en l'absence de codes locaux, au Code national du gaz des E.-U. ANSI Z223.1 (dernière édition), ou au Canada la norme CSA C22.1 du Code canadien de l'électricité, 1^{re} partie.

2. Le tuyau d'alimentation de gaz devrait être un tuyau rigide de 1/2 po (1,27 cm).

3. Si les codes le permettent, un tube métallique souple peut être utilisé pour relier votre sècheuse au tuyau d'alimentation de gaz. Le tube **DOIT** être en acier inoxydable ou enrobé de matière plastique.

4. Le tuyau d'alimentation de gaz **DOIT** être muni d'un robinet d'arrêt individuel.

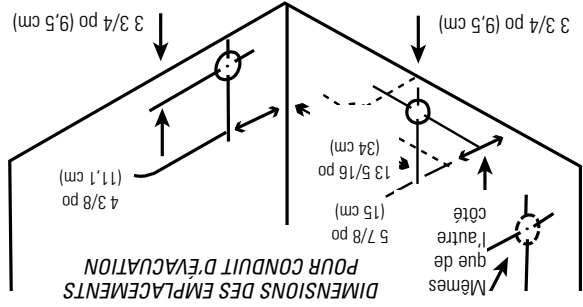
5. Un raccord fileté NPT de 1/8 po (0,32 cm), auquel on peut brancher un manomètre d'essai, **DOIT** être installé immédiatement en amont (au-dessus) du raccord du tuyau d'alimentation de la sècheuse.

6. La sècheuse **DOIT** être débranchée du système d'alimentation de gaz durant toute vérification de pression du système d'alimentation en gaz lorsqu'on utilise une pression supérieure à 1/2 lb/po² (3,45 kPa).

7. La sècheuse **DOIT** être isolée du système d'alimentation en gaz durant toute vérification de pression du système d'alimentation en gaz lorsqu'on utilise une pression égale ou inférieure à 1/2 lb/po² (3,45 kPa).

Direction du soufflage

Toutes les sècheuses sont expédiées avec un réglage de sortie de l'air à l'arrière. Sur les sècheuses électriques, la sortie d'air peut se trouver du côté gauche ou du côté droit de l'armoire, ou en bas de la sècheuse. Les sècheuses à gaz peuvent faire sortir l'air du côté droit de l'armoire ou en bas de la sècheuse. Pour changer le sens de la sortie d'air, vous devez utiliser la trousses Exhaust Kit Pub N° 14A018 et un coude de 90 degrés en métal rigide de 4 po. Vous trouverez cette trousses chez votre détaillant GE. Suivez les instructions qui accompagnent la trousses.



Longueur du conduit d'évacuation

Le système d'évacuation doit être inspecté et nettoyé au moins chaque année s'il est utilisé de façon normale. Plus vous utilisez la sècheuse, plus souvent vous devrez vérifier le système d'évacuation et le dispositif d'évacuation pour vous assurer de son fonctionnement adéquat.

- N'assemblez PAS le conduit avec des dispositifs de fixation qui se prolongent dans le conduit. Ils serviraient de point d'attache à la charpente.
- Isolation : Les conduits qui passent dans un endroit non chauffé ou près d'un conduit d'air climatisé devraient être isolés pour réduire la condensation et l'accumulation de charpente.

LONGUEUR MAXIMALE

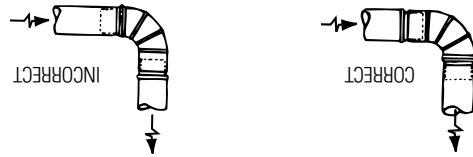
de TUBE MÉTALLIQUE SOUPLE de 4 po (10,2 cm) de dia.		TYPE DE DISPOSITIF D'ÉVACUATION PRÉFÉRÉ		Nombre de coudes 90°
0	30 pi (9,14 m)			
1	22 pi (6,71 m)			
2	14 pi (4,27 m)			

LONGUEUR MAXIMALE

de TUBE MÉTALLIQUE RIGIDE de 4 po (10,2 cm) de dia.		TYPE DE DISPOSITIF D'ÉVACUATION PRÉFÉRÉ		Nombre de coudes 90°
0	60 pi (18,28 m)			
1	52 pi (15,84 m)			
2	44 pi (13,41 m)			
3	32 pi (9,75 m)			
4	28 pi (8,53 m)			

INSTALLER LES RACCORDS MÂLES

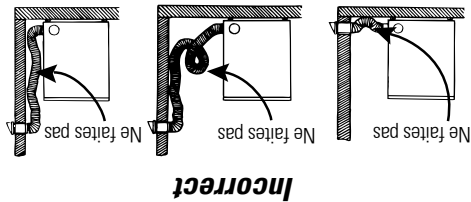
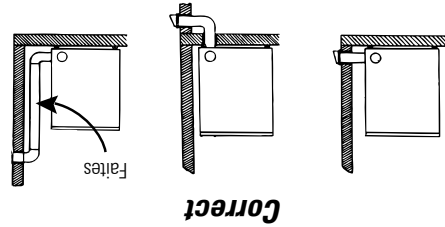
DANS LA BONNE DIRECTION



Exigences relatives au système d'évacuation

Pour de meilleurs résultats, n'utilisez qu'un conduit métallique rigide de 4 po (10,2 cm) (minimum), ou un conduit souple en métal, et un dispositif d'évacuation homologué muni d'un volet à ressort qui s'ouvre lorsque la sècheuse fonctionne. Lorsque la sècheuse s'arrête, le volet se ferme automatiquement pour empêcher les courants d'air, les insectes et les rongeurs de pénétrer. Pour empêcher l'obstruction de la sortie, conservez un dégagement minimal de 12 po (30 cm) entre le dispositif d'évacuation et le sol et tout autre obstacle.

Si un conduit entièrement métallique ne peut être utilisé, un conduit souple en métal peut alors être utilisé, mais on devra réduire la longueur de conduit recommandée. Veuillez vous référer aux *Directives supplémentaires d'installation* qui suivent.



AVERTISSEMENT : Voici des exigences spécifiques pour l'utilisation convenable et sécuritaire de votre sècheuse. Le défaut de suivre ces directives peut causer un allongement des temps de séchage et présenter des dangers d'incendie.

N'utilisez PAS de conduit flexible en plastique pour évacuer l'air de la sècheuse. Un excès de charpie peut s'accumuler à l'intérieur du système d'évacuation, présenter un danger d'incendie et empêcher l'air de circuler. Une circulation d'air restreinte allongera les temps de séchage. Si votre système actuel est composé de conduits en plastique ou en papier métallique, remplacez-le par des conduits rigides ou souples en métal. Assurez-vous que le système d'évacuation actuel soit libre de charpie avant d'installer le conduit de la sècheuse. Si l'air de la sècheuse n'est pas évacué à l'extérieur, de fines particules de charpie seront expulsées dans l'environnement de la sècheuse. Une accumulation de charpie dans toute partie de la maison peut s'avérer un danger pour la santé et un danger d'incendie. **Le système d'évacuation de cette sècheuse DOIT ÊTRE EVACUÉ À L'EXTÉRIEUR de la résidence.**

Directives d'installation supplémentaires

AVERTISSEMENT : Ne laissez PAS de matériaux combustibles (par exemple : vêtements, draperies/rideaux, papier) venir en contact avec le système d'évacuation.

L'air de la sècheuse NE DOIT PAS être évacué dans une cheminée, un mur, un plafond, un conduit commun avec un conduit d'évacuation de la cuisine ou tout vide de construction où de la charpie peut s'accumuler et constituer un danger d'incendie.

N'excédez PAS la longueur de conduit ou le nombre de coudes permis dans le tableau des longueurs maximales. De la charpie peut s'accumuler dans le système d'évacuation, obstruer le système, constituer un danger d'incendie et allonger les temps de séchage. N'installez PAS de filtre à l'extrémité du dispositif d'évacuation et n'utilisez pas de vis ou de rivets pour assembler le dispositif d'évacuation. De la charpie peut s'accumuler à ces filtres, vis et rivets, obstruer le conduit, constituer un danger d'incendie et allonger les temps de séchage. Utilisez un event mural approuvé à l'extrémité du conduit d'évacuation et scellez tous les joints avec du ruban adhésif en toile. Tous les raccords de conduit males **DOIVENT** être installés dans le même sens que le soufflage d'air.

DANGER D'EXPLOSION. N'installez pas la sècheuse près des endroits où de la gazoline ou d'autres matières inflammables sont conservées ou entreposées. Si la sècheuse est installée dans un garage, elle doit reposer à au moins 18 po (45,7 cm) au-dessus du sol. Le défaut de se conformer à cette exigence peut causer un décès, une explosion, un incendie ou des brûlures.

Si un conduit entièrement métallique ne peut être utilisé, un conduit souple en métal peut alors être utilisé, mais on devra réduire la longueur de conduit recommandée. Dans le cas d'installations spéciales où il est impossible d'effectuer un raccordement en respectant les directives précédentes, un conduit de transition pour sècheuse à vêtements homologué UL peut être utilisé à titre de conduit de transition entre la sècheuse et l'évent mural. L'utilisation de ce conduit allongera les temps de séchage.

Si un conduit de transition est nécessaire, seul un conduit indiqué à la liste UL pour utilisation avec sècheuse à vêtements est acceptable.

Les directives suivantes s'appliquent :

- Utilisez une longueur la plus courte possible.
- Évitez le conduit à son maximum.
- Ne l'écrasez pas ou ne le pliez pas.
- N'utilisez jamais le conduit de transition à l'intérieur des murs ou de la sècheuse.
- Évitez d'appuyer le conduit sur des objets tranchants.
- L'évacuation soit respecter les codes locaux de construction.

Bien lire ces directives.

Renseignements sur les raccords électriques pour sèches électriques

⚠ Avertissement – Pour réduire les risques d'incendie, de chocs électriques ou de blessure :

- N'UTILISEZ PAS DE RALLONGE ÉLECTRIQUE AVEC CET APPAREIL.
- CET APPAREIL DOIT ÊTRE CORRECTEMENT MIS À LA TERRE.

Cette sècheuse doit être mise à la terre en conformité avec les codes et règlements locaux, ou en l'absence de codes locaux, en conformité avec le CODE NATIONAL DE L'ÉLECTRICITÉ, ANSI/NFPA N° 70, ou au Canada la norme CSA C22.1 du Code canadien de l'électricité, 1^{re} partie.

Exigences

- Vous devez brancher cette sècheuse à un circuit de dérivation individuel de 208V ou de 240V, protégé par des disjoncteurs ou des fusibles à retardement de 30 amp.
- Alimentation électrique : 3 fils 240 volts, courant alternatif monophasé 60 Hz. (Au Canada 240 volts, courant alternatif monophasé 60 Hz)
- Utilisez des conducteurs en cuivre seulement.
- Si la distribution d'électricité ne respecte pas les exigences décrites plus haut, veuillez contacter un électricien agréé.

REMARQUE : Un diagramme de câblage est situé sous le panneau supérieur.

Renseignements sur le raccordement électrique pour sèches à gaz

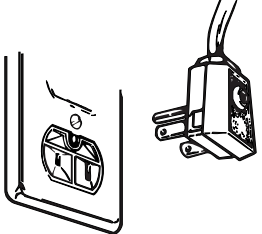
⚠ Avertissement – Pour réduire les risques d'incendie, de chocs électriques ou de blessure :

- N'UTILISEZ PAS DE RALLONGE ÉLECTRIQUE OU DE FICHE D'ADAPTION AVEC CET APPAREIL.
- IL NE FAUT JAMAIS COUPER OU ENLEVER LA BROCHE DE MISE À LA TERRE DU CORDON D'ALIMENTATION.

Cette sècheuse doit être mise à la terre en conformité avec les codes et règlements locaux, ou en l'absence de codes locaux, en conformité avec le CODE NATIONAL DE L'ÉLECTRICITÉ, ANSI/NFPA N° 70, ou au Canada la norme CSA C22.1 du Code canadien de l'électricité, 1^{re} partie.

Exigences

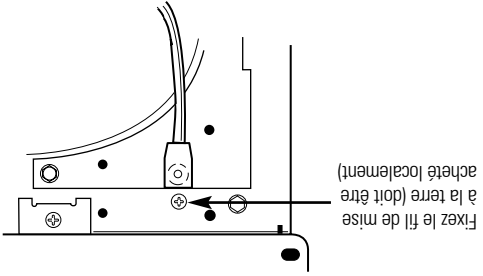
- Cette sècheuse doit être alimentée par un circuit 120 V, 60 Hz, et adéquatement mise à la terre et protégée par un fusible à retardement ou un disjoncteur de 15 ou 20 A.
- Si l'alimentation en électricité ne respecte pas les exigences mentionnées plus haut, nous conseillons fortement de faire installer une prise approuvée par un électricien agréé.



Assurez-vous que la prise soit correctement mise à la terre avant l'utilisation

Prise de terre extérieure (si requise)

Un fil de mise à la terre extérieure (non inclus) qui respecte les exigences des codes locaux peut être ajouté en le fixant à la vis de borne de terre située à la partie supérieure de la sècheuse au-dessus du cordon et à une conduite d'eau froide mise à la terre ou à tout autre élément mis à la terre.



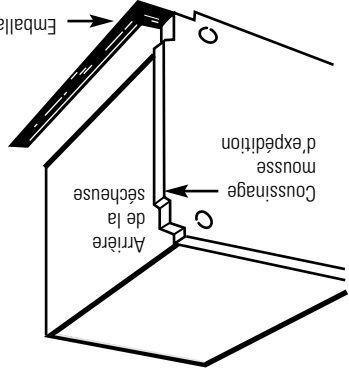
Fixez le fil de mise à la terre (doit être acheté localement)

REMARQUE : Un diagramme de câblage est situé sous le panneau supérieur.

Préparation de l'emplacement où vous allez installer la sècheuse et déballage de la sècheuse

1. Préparez l'emplacement et la sortie d'évacuation d'air avant d'installer la nouvelle sècheuse.
2. Vérifiez que la sortie d'évacuation d'air existante est propre et qu'elle remplit toutes les normes d'installation jointes.
3. Placez les quatre montants d'angle du carton d'emballage sur le plancher, parallèles les uns aux autres, à 2 ou 3 pouces de distance. Couches lentement la sècheuse sur le côté gauche sur les montants d'angle. Enlevez le coussinage mousse d'expédition.

▲ MISE EN GARDE : Pour prévenir les dommages, n'utilisez pas le panneau de commande pour redresser ou déplacer la sècheuse.



4. Ramenez la sècheuse en position debout.
5. Mettez la sècheuse dans l'emplacement désiré.
6. Branchez la sortie d'évacuation d'air vers l'extérieur.
7. Réglez les pieds d'inclinaison afin de mettre la sècheuse au même niveau que la machine à laver. La sècheuse doit être bien horizontale et doit reposer fermement sur ses quatre pieds d'inclinaison.
8. Branchez l'alimentation de courant électrique.
9. Vérifiez le fonctionnement de l'alimentation de courant électrique et de la ventilation.
10. Mettez le Manuel de l'utilisateur et les Directives d'installation dans un endroit où le propriétaire les trouvera facilement.

Matériel et outillage nécessaires

- Tournevis Phillips
- Pince réglable (pour régler les pattes de réglage)
- Niveau à bulle
- Tournevis plat ou droit (peut être nécessaire pour assurer le mou dans le cordon d'alimentation)
- Ruban adhésif pour gaine de ventilation
- Gaine en métal flexible ou rigide certifiée UL de 4 po (10,2 cm)
- Hotte pour la mise à l'air libre
- Clef de 1/4 po (retirez le couvercle d'accès aux bornes et montez le cordon) (**SECHEUSE ELECTRIQUE**)
- Pâte à joint pour filetage de tuyau (**SECHEUSE A GAZ**)
- Serre-câble certifié UL (peut être fourni avec le cordon)
- Cordon d'alimentation à 3 fils (#10 AWG) pour courant de 240 volts, 30 ampères certifié UL (structure existante aux Etats-Unis)
- Cordon d'alimentation à 4 fils (#10 AWG) pour courant de 240 volts, 30 ampères certifié UL (structure nouvelle aux Etats-Unis)
- Tuyau de branchement en acier flexible inoxydable ou en laiton recouvert de plastique (si autorisé par le code de construction) (**SECHEUSE A GAZ**)
- Clefs plates pour tuyau flexible et raccord de branchement (**SECHEUSE A GAZ**)

Directives d'installation

Sècheuse Spacemaker
Modèles DCXH46
DSXH43
DPXH46
DH43
PSXH43

Questions? Visitez notre site Web à : electromenagersge.ca ou appelez le 1.800.361.3400

AVANT DE COMMENCER :

- Lire attentivement la totalité de ces instructions.
- **IMPORTANT** – Sauvegardez ces instructions pour utilisation future par l'inspecteur.
- **IMPORTANT** – Respectez tous les codes et règlements applicables.
- **Note à l'installateur** – Assurez-vous de laisser ces instructions au Consommateur.
- **Note au consommateur** – Gardez ces instructions pour future référence.
- **Niveau de compétence** – L'installation de cet appareil nécessite des connaissances mécaniques et électriques de base.
- **Temps de travail prévu** – 1 à 3 heures
- L'installateur est responsable d'effectuer une installation correcte.
- Tout problème causé par une installation incorrecte n'est pas couvert par la garantie.

DANS LE COMMONWEALTH DU MASSACHUSETTS

- Ce produit doit être installé par un plombier ou un monteur d'installations au gaz licencié.
- Si vous utilisez des robinets d'arrêt du gaz à bille, ils doivent avoir une poignée en té.
- Si vous utilisez un raccord de gaz souple, il ne doit pas dépasser 3 pieds (1 m).

POUR VOTRE SÉCURITÉ : ▲ AVERTISSEMENT

- L'air de cette sècheuse doit être évacué à l'extérieur. Vous devez uniquement utiliser un conduit en métal rigide ou souple de 4 po de diamètre pour l'évacuation de l'air vers l'extérieur. Vous devez uniquement utiliser un conduit en métal rigide de 4 po de diamètre à l'intérieur de la carrosserie de la sècheuse.
- N'utilisez jamais de conduit en plastique ou fabriqué avec tout autre matériau combustible. Veuillez vous référer à la section *Evacuation*.
- Cet appareil doit être convenablement mis à la terre et installé de la façon décrite aux *Directives d'Installation*.
- N'installez pas ou n'entrezposez pas cet appareil dans une endroit où il sera exposé à l'eau/la température extérieure. Veuillez vous référer à la section *Emplacement de votre sècheuse*.
- Le Code national du gaz des E.-U. restreint l'installation d'appareils utilisant le gaz dans les garages. Ils doivent se trouver à 18 po (45,7 cm) du sol et protégés des véhicules par une cloison. Veuillez vous référer à la section *Emplacement de votre sècheuse*.
- Le **raccordement électrique** de la sècheuse doit respecter les codes et règlements locaux et les exigences de l'édition la plus récente du Code national de l'électricité, ANSI/NFPA 70 ou au Canada la norme CSA C22.1 du Code canadien de l'électricité, 1^{re} partie.
- Le **raccordement du gaz** à la sècheuse doit respecter les codes et règlements locaux et les exigences de l'édition la plus récente du Code national du gaz des E.-U., ANSI Z223.1 ou au Canada la norme CAN/CGA B149.12. La sècheuse à gaz est désignée sous ANSI Z21.5.1 ou ANSI/UL158-CAN/CSA C22.2 (les plus récentes éditions) pour **utilisation domestique seulement**. Cette sècheuse n'est pas recommandée pour une utilisation commerciale telle que dans les restaurants, les salons de beauté, etc.

Utilisation et chargement de la sècheuse.

Lors de la lessive, observez toujours les directives données sur l'étiquette d'entretien du vêtement

Conseils pour le tri et le chargement



En règle générale, lorsque les vêtements sont correctement triés pour le lavage, ils le sont aussi pour le séchage.

N'ajoutez pas votre feuille d'assouplissant textile lorsque la brassée a commencé à chauffer, car elle risque de provoquer des taches d'assouplissant. Les feuilles d'assouplissant de tissus Bounce® pour sècheuses ont été approuvées pour toutes les sècheuses GE si elles sont utilisées conformément aux instructions du fabricant.

Ne surchargez pas la sècheuse car c'est une perte d'énergie et cela peut provoquer des faux-plis.

Ne faites pas sécher les articles suivants dans la sècheuse : articles en fibre de verre, laïnettes, articles recouverts de caoutchouc, plastiques, articles dotés d'une garniture en plastique, articles remplis de mousse de caoutchouc.

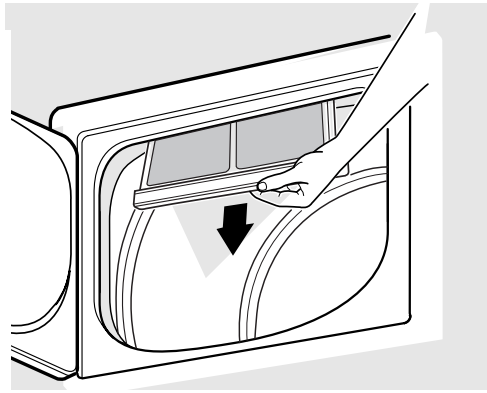
Entretien et nettoyage de la sècheuse



Extérieur : Essuyez les produits de lessive renversés, et enlevez la poussière avec un linge humide. Le fini et le tableau de commande de la sècheuse peuvent être endommagés par certains produits de traitement préliminaire et détachants. Appliquez ces produits loin de la sècheuse. Vous pouvez ensuite laver et faire sécher les vêtements normalement. Les dommages causés à votre sècheuse par ces produits ne sont pas couverts par votre garantie.

Filter à charpie : Nettoyez le filtre à charpie avant chaque utilisation. L'accumulation de charpie sur le filtre limite la circulation d'air, ce qui provoque un allongement des durées de séchage. Le filtre est situé à la partie inférieure de l'ouverture de chargement de la sècheuse. Enlevez-le en le tirant en ligne droite. Enlevez la charpie et remplacez le filtre.

Une accumulation cirreuse peut se former sur le filtre à charpie en raison de l'utilisation de feuilles d'assouplissant textile. Pour enlever cette accumulation, laver le filtre à charpie dans de l'eau chaude savonneuse. Asséchez-le bien et remettez-le en place. N'utilisez pas la sècheuse sans le filtre à charpie.



Conduit d'évacuation : Inspectez et nettoyez au moins une fois par année le conduit d'évacuation de la sècheuse afin d'éviter qu'il se bloque. Lorsque le conduit d'évacuation est partiellement obstrué, cela a pour effet d'allonger la durée de séchage.

Suivez ces étapes :

- 1 Coupez l'alimentation électrique en débranchant le cordon d'alimentation de la prise murale.
- 2 Débranchez le conduit d'évacuation de la sècheuse.
- 3 Passez le tuyau de l'aspirateur dans le conduit d'évacuation, et rebranchez le conduit d'évacuation à la sècheuse.

Event mural : Vérifiez de l'extérieur que les volets de l'évent bougent facilement quand la sècheuse fonctionne. Assurez-vous qu'il n'y a pas de nid (d'oiseaux, d'insectes, etc.) à l'intérieur du conduit d'évacuation ou de l'évent.

Les caractéristiques de la sècheuse.

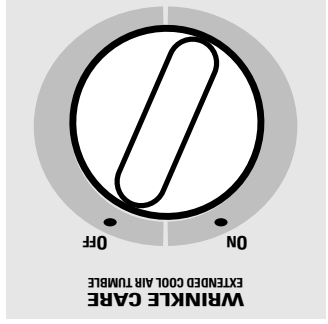
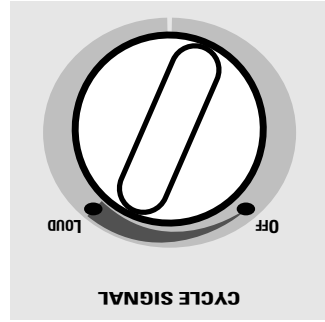
Mesures de sécurité

Cycle Signal Option (indicateur de fin de programme) (sur certaines modèles)
 Lorsque le signal est activé, il se fera entendre juste avant la fin du cycle afin de vous rappeler de retirer les vêtements. Il peut être réglé sur **OFF** (aucun son), **LOUD** (fort) ou sur n'importe quelle position intermédiaire entre **OFF** et **LOUD**.
REMARQUE :
 Si les articles sont retirés avant la fin du programme, ramenez le **SELECTEUR DE PROGRAMME** à **OFF**.

Sortez rapidement les vêtements au signal sonore. Suspendez-les sur des cintres afin d'éviter qu'ils se froissent.
 Réglez l'avertisseur surtout lorsque vous faites sécher des tissus comme des tricots de polyester et des vêtements sans repassage. Il faut sortir rapidement ces tissus de la sècheuse pour éviter la formation de faux plis.

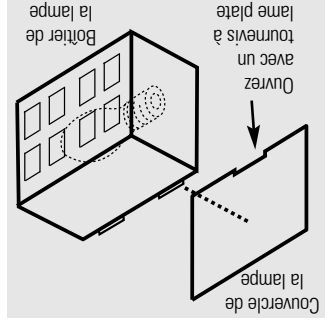
Fonctionnement

Wrinkle Care Option (option de défroissage) (sur certaines modèles)
 Utilisez cette option afin de minimiser le froissage des vêtements. Elle assure environ 15 minutes de culbute sans chauffage après l'option ne peut être utilisée qu'avec les cycles **EASY CARE** (entretien facile) et **DELICATES** (délicats).



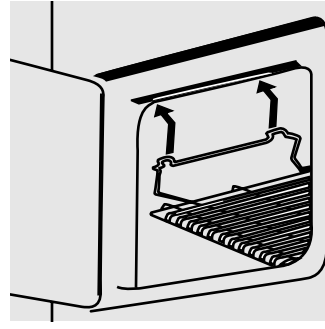
Directives d'installation

⚠ AVERTISSEMENT :
 Pour réduire les risques de chocs électriques, débranchez cet appareil avant de le réparer. Le fait de placer le sélecteur de programme à la position **OFF** ne coupe PAS l'alimentation électrique de l'appareil. La lampe du tambour est située au-dessus de l'ouverture de chargement de la sècheuse. Avant de remplacer la lampe, assurez-vous de débrancher l'appareil ou de débrancher la sècheuse.
Lampe de tambour (sur certaines modèles)
 Pour remplacer la lampe du tambour :
 1 À l'aide d'un petit tournevis à lame plate, séparez le couvercle de la lampe du boîtier de la lampe.
 2 Dévissez la lampe lorsqu'elle est froide et remplacez-la avec une lampe pour électroménager de même puissance ou plus faible.
 3 Remplacez le couvercle de la lampe sur le boîtier de la lampe.



Conseils de dépannage

Grille de séchage (sur certaines modèles)
 Une grille de séchage pratique vous permet de faire sécher des articles tels que les joues en peluche, les oreillers ou les tricots lavables.
 1 Enlevez le filtre à charpie.
 2 Placez la barre avant sous le bord de l'ouverture du filtre à charpie.
 3 Lorsque les articles sont secs, enlevez la grille et remplacez le filtre à charpie. **N'UTILISEZ PAS LA SÈCHEUSE SANS LE FILTRE À CHARPIE SI LA GRILLE DE SÈCHAGE N'EST PAS EN PLACE.**

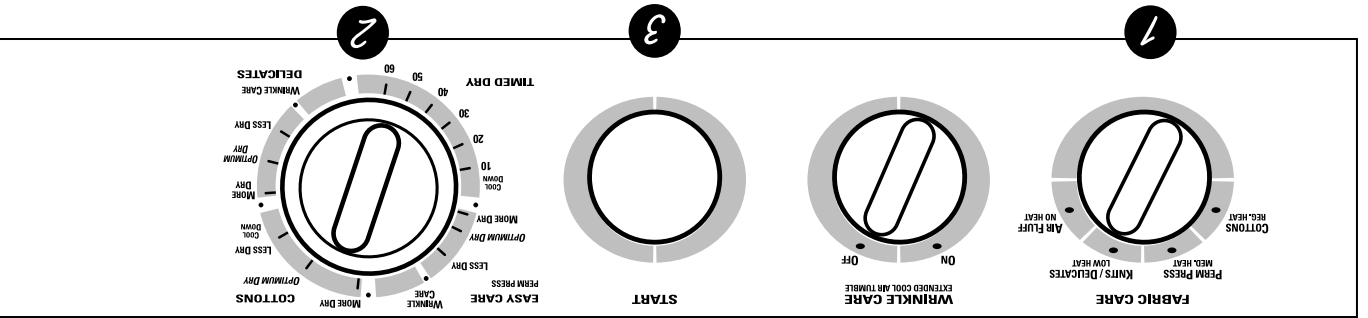


Service à la clientèle

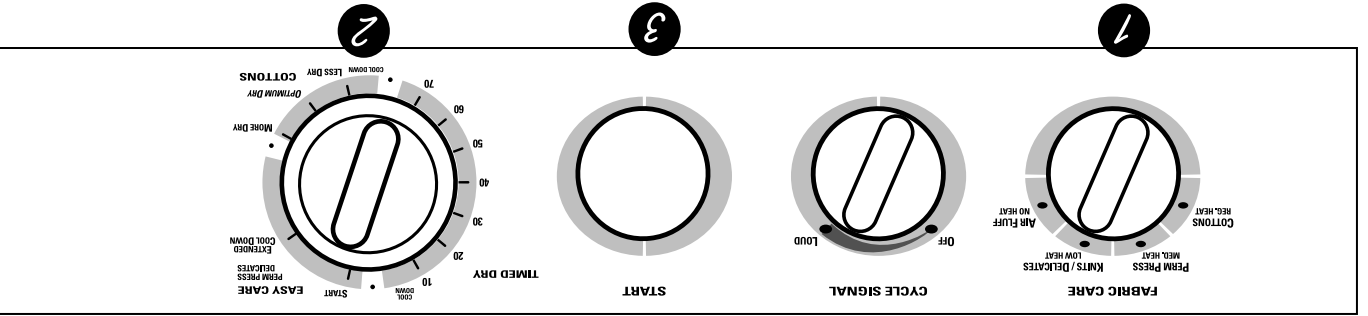
REMARQUE :
 La grille de séchage doit être utilisée avec le programme **TIMED DRY** (séchage minute).
 Ne vous servez pas de la grille lorsqu'il y a d'autres vêtements à l'intérieur de la sècheuse.

Les commandes de votre sècheuse.

Modèles DPXH46 et DCXH46



Modèles DSXH43, DH43 et PSXH43



Réglage des commandes



1 Entretien des tissus

COTTONS (cotons/temp. régulière) Pour les cotons ordinaires ou lourds.

PERM. PRESS (tissus sans repassage/chaleur moyenne) Pour les tissus synthétiques, les mélanges et les articles portant la mention *sans repassage* ou *culbutage à chaleur moyenne*.

KNITS/DELICATS/délicats/faible temp.) Pour les tricots, les tissus délicats, les synthétiques et les articles portant la mention *secher par culbutage à faible chaleur*.

AIR FLUFF (duvetage/sans chaleur) Pour faire « aérer » les articles sans chaleur. Utilisez le programme **NO HEAT** **TIMED DRY** (séchage minute).

2 Programmes de séchage

Les programmes **COTTONS**, **EASY CARE** et **DELICATS** déterminent automatiquement la sécheresse des tissus. Choisissez **MORE DRY** (plus sec) pour les tissus plus lourds, et **LESS DRY** (moins sec) pour les tissus plus légers. Le programme **TIMED DRY** (séchage minute) fonctionne pour une durée choisie.

COTTONS (cotons) Pour les cotons et la plupart des articles en lin. Pour la plupart des brassées, choisissez le réglage **Optimum Dry** (séchage optimal) (sur certains modèles).

EASY CARE (entretien facile) Pour les articles sans repassage, sans froissage et articles délicats, et les tricots. Pour la plupart des brassées, choisissez le réglage **Optimum Dry** (séchage optimal) (sur certains modèles).

DELICATS (délicats) Pour les tissus délicats et nécessitant un soin particulier. Pour la plupart des brassées, choisissez le réglage **Optimum Dry** (séchage optimal) (sur certains modèles).

TIMED DRY (séchage minute) Positionnez le Cycle Selector (sélecteur de cycle) sur le temps de séchage souhaité.

3 Mise en marche

Fermez la porte de la sècheuse. Choisissez **START** (mise en marche). Vous arrêtez la sècheuse en ouvrant sa porte. Pour la remettre en marche, fermez la porte et choisissez **START** (mise en marche) pour terminer le cycle.

- Il est possible que vous desiriez assouplir votre lessive ou réduire le collement électrostatique en utilisant un assouplissant textile dans votre sècheuse ou un produit antistatique. Nous vous recommandons d'utiliser un assouplissant liquide au cours du programme de lavage, conformément aux directives du fabricant de ce type de produit, ou de faire l'essai d'un assouplissant textile pour la sècheuse, pour lequel le fabricant certifie sur l'emballage que son produit peut être utilisé en toute sécurité dans la sècheuse. La responsabilité des problèmes de rendement ou de fonctionnement qui ne sont pas couverts par la garantie de cet appareil et sont attribuables à l'utilisation de ces produits relève du fabricant de ces produits.

- Ne faites pas fonctionner l'appareil s'il est endommagé, défectueux, partiellement démonté ou si des pièces sont manquantes ou défectueuses, ou si le cordon d'alimentation ou la fiche sont endommagés.

- L'intérieur de l'appareil et le raccord du conduit d'évacuation à l'intérieur de la sècheuse doivent être nettoyés une fois par une personne qualifiée. Voyez la section *Utiliser et charger la sècheuse*. N'utilisez pas de dégraisseur en aérosol lorsque vous nettoyez l'intérieur de la sècheuse. Des émanations dangereuses ou un choc électrique peuvent survenir.

- Si votre sècheuse fonctionne au gaz, elle est pourvue d'un système d'allumage électrique automatique et ne possède pas de veilleuse. **N'ESSAYEZ PAS DE L'ALLUMER AVEC UNE ALLUMETTE.** Vous risquez de vous brûler si vous approchez votre main du brûleur et que le dispositif d'allumage automatique s'allume.

LORSQUE LA SÈCHEUSE N'EST PAS UTILISÉE

- Lorsque vous débranchez l'appareil, tirez sur la fiche et non pas sur le cordon afin d'éviter d'endommager le cordon d'alimentation. Installez le cordon de sorte que personne ne marche ou ne trebuche dessus, ou qu'il ne soit pas exposé à des dommages.
- Ne réparez ou ne remplacez aucune pièce de cet appareil, à moins que cela ne soit spécifiquement recommandé dans le présent manuel ou dans des directives de réparation que vous comprenez et que vous êtes en mesure de suivre.

- Avant de jeter ou d'entreposer une sècheuse, enlevez toujours la porte afin d'empêcher les enfants de se cacher à l'intérieur.
- Ne trafiquez pas les commandes de l'appareil.

CONSERVEZ CES DIRECTIVES

VEUILLEZ LIRE ET SUIVRE ATTENTIVEMENT CES MESURES DE SÉCURITÉ.

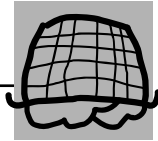


AVERTISSEMENT!

MESURES DE SÉCURITÉ IMPORTANTES. LISEZ D'ABORD TOUTES LES DIRECTIVES.

▲ AVERTISSEMENT!

AUTOUR DE VOTRE SÈCHEUSE



■ Ne laissez pas s'accumuler autour et au-dessous de vos électroménagers des matériaux

combustibles, comme de la charpie, du papier, des chiffons, des produits chimiques, etc.

■ Gardez le sol propre et sec à proximité de vos électroménagers afin de ne pas glisser.

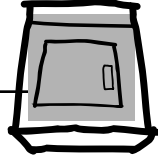
■ Ne laissez pas s'accumuler de la charpie, de la poussière et de la saleté autour de l'ouverture d'évacuation et autour de votre sècheuse.

■ Assurez-vous de laisser l'air circuler.

N'empilez pas ou ne placez pas de vêtements ou de chiffons contre l'avant ou l'arrière de la sècheuse.

sècheuse.

LORSQUE VOUS UTILISEZ LA SÈCHEUSE



■ Ne vous penchez jamais dans la sècheuse

pendant que le tambour tourne. Avant de

charger ou de décharger la sècheuse ou d'y

ajouter des vêtements, attendez que le tambour

se soit complètement arrêté.

■ Avant chaque séchage, nettoyez le filtre à charpie

afin de prévenir l'accumulation de charpie à

l'intérieur de la sècheuse ou dans la pièce.

NE FAITES PAS FONCTIONNER LA SÈCHEUSE SANS

LE FILTRE À CHARPIE. Remettez toujours le filtre à

la grille de séchage.

■ Ne lavez pas ou ne faites pas sécher des articles

qui ont été lavés avec des produits combustibles

ou explosifs, ou qui ont été trempés dans ces

produits ou qui en sont tachés (cire, peinture,

huile, essence, dégraissants, solvants pour le

nettoyage à sec, kérosène, etc.). Ces substances

émettent des vapeurs qui peuvent prendre feu ou

explorer. Ne versez pas ces substances dans l'eau

de la lavuse. N'utilisez pas ces substances à

proximité de votre lavuse ou de votre sècheuse

■ Il ne faut pas mettre dans la sècheuse, ou à

proximité de celle-ci, tout article ayant été utilisé

avec un solvant dégraissant ou contenant une

substance inflammable (comme des chiffons de

nettoyage, des vadrouilles, des serviettes utilisées

dans les salons de coiffure, etc.), à moins qu'ils

aient été débarrassés de toute trace et de toute

vapeur de substance inflammable. On utilise à la

maison de nombreux produits inflammables :

acétone, alcool dénaturé, essence, kérosène,

nettoyants ménagers, détachants, térébenthine,

■ La lessive peut altérer les propriétés

ignifugées des tissus. Pour éviter cette

situation, suivez à la lettre les directives données

par le fabricant du vêtement.

■ Ne faites pas sécher des articles contenant du

caoutchouc, du plastique, de la mousse ou autres

- Il faut exercer une étroite surveillance lorsque vous faites fonctionner cet appareil en présence d'enfants. Ne les laissez pas jouer sur, avec ou dans cet appareil ou dans tout autre appareil.
- Gardez tous les produits pour la lessive (comme les détergents, les javellissants, etc.) hors de la portée des enfants, de préférence dans une armoire fermée à clé. Suivez toutes les mises en garde sur les étiquettes pour éviter des blessures.
- Ne montez jamais sur le dessus de la sècheuse.

- matériaux similaires (comme des soutiens-gorge, bretelles, des chausures de tennis, des caoutchoucs, des tapis de bain, des carottes, des bavoirs, des culottes de bébé, des sacs de plastique, des oreillers, etc.), car ces matériaux peuvent fondre ou brûler. De plus, dans certaines circonstances, certains matériaux de caoutchouc peuvent causer un incendie par combustion spontanée lorsqu'ils sont chauffés.
- Ne rangez pas des articles qui peuvent fondre ou brûler, comme du plastique, du papier, ou des vêtements sur le dessus de la sècheuse pendant qu'elle fonctionne.
- Les vêtements portant la mention «*Faire sécher loin de la chaleur*» ou «*Ne pas faire sécher par culbutage*» (comme les grêles de sauvetage contenant du kapok) ne doivent pas être séchés dans votre sècheuse.
- Ne faites pas sécher d'articles en fibre de verre dans votre sècheuse. Les particules qui restent dans la sècheuse et qui pourraient être recueillies par les vêtements lors d'un séchage subséquent risquent de causer des irritations cutanées.
- Pour réduire les risques de chocs électriques, débranchez toujours l'appareil ou débranchez la sècheuse au panneau de distribution en enlevant le fusible ou en débranchant le disjoncteur avant de le réparer ou de le nettoyer (sauf pour enlever et nettoyer le filtre à charpie). **REMARQUE :** Le fait de placer le sélecteur de programme à une position **OFF** ne coupe **PAS** l'alimentation électrique de l'appareil.
- N'utilisez pas de produit en aérosol dans, sur ou près de votre sècheuse.
- Ne rangez pas dans votre sècheuse des articles qui ont été en contact avec des huiles de cuisson; ceux-ci peuvent provoquer une réaction chimique susceptible de faire s'enflammer vos vêtements.

MESURES DE SÉCURITÉ IMPORTANTES. LISEZ D'ABORD TOUTES LES DIRECTIVES.

▲ AVERTISSEMENT!

Pour votre sécurité, suivez les directives fournies dans le présent manuel afin de minimiser les risques d'incendie, d'explosion et de chocs électriques et prévenir des dégâts matériels et des blessures graves ou mortelles.

- N'entrez pas ou n'utilisez pas d'essence ou autres vapeurs ou liquides inflammables à proximité de cet appareil ou de tout autre électroménager.

- L'installation et les réparations doivent être effectuées par un installateur qualifié, une entreprise de réparation ou votre fournisseur de gaz.

SI VOUS REMARQUEZ UNE ODEUR DE GAZ :

- 1 N'allumez pas d'allumette ou de cigarette, ou ne faites fonctionner aucun appareil à gaz ou électrique.
- 2 N'actionnez aucun interrupteur, n'utilisez aucun téléphone dans votre édifice.
- 3 Évacuez la pièce, l'édifice ou les environs.

- 4 Appelez immédiatement votre fournisseur de gaz en utilisant le téléphone d'un voisin. Suivez les directives qu'il vous donnera.
- 5 Si vous ne pouvez joindre votre fournisseur de gaz, appelez les pompiers.

Loi sur les produits toxiques et l'eau potable de la Californie

En vertu de cette loi, le Gouverneur de la Californie est tenu de publier une liste des substances reconnues par l'Etat comme pouvant causer le cancer, des malformations congénitales ou autres problèmes du genre et d'obliger les entreprises à avertir leurs clients de toute exposition potentielle à de telles substances. Les électroménagers à gaz peuvent entraîner une exposition mineure à quatre de ces substances, en l'occurrence le benzène, le monoxyde de carbone, le formaldéhyde ou la suie, attribuables principalement à la combustion incomplète du gaz naturel ou du gaz de pétrole liquéfié. Une séchuse bien réglée réduit au minimum les risques de combustion incomplète. Pour réduire au minimum l'exposition à ces substances, faites évacuer l'air de la séchuse à l'extérieur.

UNE INSTALLATION ADEQUATE

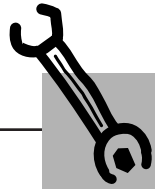
Avant d'utiliser votre séchuse, assurez-vous qu'elle a été adéquatement installée, conformément aux Directives d'installation.

- Mettez l'appareil à la terre conformément à tous les codes et règlements en vigueur. Suivez les Directives d'installation.

- Installez ou entrezposez l'appareil dans une pièce où la température est supérieure à 0°C, et où il sera à l'abri des intempéries.

- Branchez l'appareil sur un circuit protégé et de capacité appropriée afin d'éviter toute surcharge électrique.

- Retirez tous les articles d'emballage tranchants et jetez tous les matériaux de transport.



2 N'utilisez qu'un conduit métallique rigide de 4 po de diamètre à l'intérieur de la carrosserie de la séchuse. Vous devez uniquement utiliser un conduit en métal rigide ou souple de 4 po de diamètre pour l'évacuation de l'air vers l'extérieur. L'UTILISATION D'UN CONDUIT DE PLASTIQUE OU FABRIQUÉ AVEC TOUT AUTRE MATÉRIAU COMBUSTIBLE PEUT CAUSER UN INCENDIE. LORSQU'UN COURS DE PERFORÉ OU DEVIANT OBSTRUÉ AU COURS DE L'UTILISATION OU DE L'INSTALLATION, IL PEUT CAUSER UN INCENDIE.

Pour des détails complets, suivez les Directives d'installation.

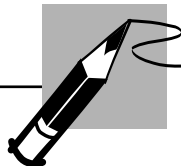
Un partenariat de service.



IMPORTANT!

Agrafez ici votre facture ou une copie de votre chèque.

Pour bénéficier de réparations sous garantie, il faut fournir une preuve de la date d'achat d'origine.



À CONSERVER SOIGNEUSEMENT

Transcrivez les numéros de modèle et de série ici.

No

No

Vous les trouverez au côté gauche de l'ouverture de la porte.



LISEZ VOTRE MANUEL

Vous y trouverez de nombreux conseils pour l'utilisation et l'entretien de votre sècheuse. Ces quelques mesures préventives vous permettront d'économiser du temps et de l'argent, et, ainsi, de prolonger la vie de votre sècheuse.



SI VOUS AVEZ BESOIN DE SERVICE

Vous trouverez des solutions aux problèmes courants que vous pourriez rencontrer dans la section *Avant d'appeler un réparateur*. Et, en consultant d'abord nos *Conseils de dépannage*, vous pourrez être éviter de faire appel à un réparateur.

Si vous avez besoin de service, vous savez que vous n'avez qu'à nous téléphoner. Vous trouverez à la fin du présent manuel les numéros sans frais du service à la clientèle.

ou

Visitez notre site Web à : ***electromenagers.ca***



Spacemaker Sécheuses



Mesures de sécurité 3-5

Directives de fonctionnement

Tableaux de commande 6

Caractéristiques 7

Chargement et utilisation 8

de la sécheuse 8

Entretien 8

Directives d'installation 9-21

Installations électriques pour
sécheuses électriques 17, 18

Installations électriques 11

Évacuation 12, 13

Raccord au gaz pour
sécheuses à gaz 19

Exigences—alimentation en gaz 14

Emplacement 15

Installation dans une
maison mobile 16

Préparation pour l'installation
de la sécheuse 9, 10

Inversion de l'ouverture
de la porte 21

Superposition sécheuse/laveuse 20, 21

Conseils de dépannage 22, 23

Service à la clientèle

Numéros de service 26

Garantie 25



175D1807P460 49-90193 08-03 JR
350A4502P325 Rév. 1 134287400

Manuel de l'utilisateur & Directives d'installation

Modèles des
États-Unis :
DSXH43
DPXH46
DH43

Modèles du
Canada :
DCXH46
PSXH43